



DALE<sup>®</sup>  
GARN

HOUSE of YARN

# POPPY JUMPER

DG 432-01 | MYK PÅFUGL



Dale Garn - a part of HOUSE of YARN

DG 432-01

## POPPY JUMPER

### DESIGN

Trine Lise Høyseth

### YARN

MYK PÅFUGL 73 % mohair, 22 % wool, 5 % polyamide,  
50 grams = approx. 90 metres

### SIZES

S (M) L (XL)

**NOTE!** See [GARMENT MEASUREMENTS](#) to find the right size

### GARMENT MEASUREMENTS

Chest measurements approx. 93 (103) 113 (123) cm

Full length approx. 58 (60) 62 (64) cm

Sleeve-length approx. 42 cm in all sizes

### YARN AMOUNTS

Colour 1: 4 (5) 5 (6) balls

Colour 2: 4 (4) 5 (5) balls

### COLOURS

Colour 1: Denim 7914

Colour 2: White 0010

### SUGGESTED NEEDLE SIZES

5 and 7 mm long circular needles

5 mm short circular needle

### KNITTING TENSION

12 sts moss st with needle size 7 mm = 10 cm

**Check your knitting tension by working a swatch.**

**Count the number of sts per 10 cm; if you have more sts than suggested, change to a larger needle size. If you have fewer sts, change to a smaller needle size.**

### FIND THE RIGHT SIZE

1. Measure a garment that fits you.
2. Compare the measurements with the pattern.
3. Choose your size from the chest measurements.
4. Body and sleeves can be worked longer or shorter as needed.

### ABBREVIATIONS

K = knit, P = purl, st. = stitch, r = row, DPN = double pointed needles, m1r = make one right, m1l = make one left

#### © House of Yarn AS

The copying and publication of materials and patterns, or use of these for commercial purposes, is not permitted. without the agreement of House of Yarn AS.



### MOSS ST:

**Row 1:** \*K1, P1\*, repeat from \*-\*.

**Row 2:** K over P and P over K.

Repeat row 2.

### FRONT PIECE

Cast on 56 (62) 68 (74) sts with colour 1 and needle size 5 mm. Work 8 cm rib and back and forth as follows:

**Row 1:** (= wrong side) \*K1, P1 twisted \*, repeat from \*-\*.

**Row 2:** (= right side) \*K1 twisted, P1 \*, repeat from \*-\*.

Repeat rows 1 and 2. Finish after row 1.

Change to needle size 7 mm and work next row as follows: (= right side) Work 19 (22) 25 (28) sts **in moss st**, P2, \*K1, 1 yarn over\*, repeat from \*-\* a total of 6 times, P2, repeat from \*-\* 6 times, P2, 19 (22) 25 (28) sts **in moss st** = 68 (74) 80 (86) sts. Work back as follows: 19 (22) 25 (28) sts **in moss st**, \*K2, P12\*, repeat from \*-\* one more time, K2, 19 (22) 25 (28) sts **in moss st**. **NOTE:** Yarn overs worked twisted to avoid holes. Continue as follows: 19 (22) 25 (28) sts **in moss st**, P2, pattern according to diagram (= 12 sts), P2, pattern according to diagram, P2 and 19 (22) 25 (28) sts **in moss st**.



When the piece measures 19 (20) 21 (22) cm, continue the pattern, **at the same time** as you work stripes as follows: \*2 rows colour 2, 2 rows colour 1\*, repeat from \*-\* until the piece measures 39 (40) 41 (42) cm. Finish with colour 1. **At the same time**, cast off for the armholes on each side every 2nd row, 3,1 (3,1,1) 3,1,1,1 (3,1,1,1,1) sts = 60 (64) 68 (72) sts. When the piece measures 50 (52) 54 (56) cm, cast off the middle 24 (24) 26 (26) sts for the neckline and finish each shoulder separately. Cast off for the neck every 2nd row (same for all sizes) 2,1,1,1 sts = 13 (15) 16 (18) shoulder-sts. Work until the piece measures 58 (60) 62 (64) cm. Cast off. Work the other shoulder in the same way but in reverse.

### BACK PIECE

Cast on and work rib in the same way as on front piece. Change to needle size 7 mm and work **moss st** over all sts until the piece measures 19 (20) 21 (22) cm, continue the **moss st** and stripes as on the front piece until the piece measures 39 (40) 41 (42) cm. Finish with colour 2. **At the same time** cast off for the armholes on each side as on front piece = 48 (52) 56 (60) sts. When the piece measures 56 (58) 60 (62) cm, cast off the middle 20 (20) 22 (22) sts for the neckline and finish each shoulder separately. Cast off 1 st on next row from neck = 13 (15) 16 (18) shoulder-sts. Work until the piece measures 58 (60) 62 (64) cm. Cast off. Work the other side in the same way but in reverse.

### SLEEVES

Cast on 28 (28) 30 (32) sts with colour 1 and needle size 5 mm. Work 4 cm rib back and forth as on front piece. Change to needle size 7 mm and work next row as follows: (= right side) K2, \*1 yarn over, K1\*, repeat from \*-\* until there are 2 (0) 0 (2) sts left. These sts are then knitted = 52 (54) 58 (60) sts. On the next row work as follows: 18 (19) 21 (22) sts **in moss st**, K2, P12, K2 and 18 (19) 21 (22) sts **in moss st** (yarn overs worked twisted to avoid holes). Continue like this, with pattern according to the diagram over the middle 12 sts. When the the piece measures 10 cm, cast off 1 st on each side. Repeat this decrease when the piece measures 18 and 26 cm = 46 (48) 52 (54) sts. **At the same time** when the piece measures 22 cm (the same in all sizes), continue the pattern, **at the same time** as you work stripes as follows: \*2 rows colour 2, 2 rows colour 1\*, repeat from \*-\* until the piece measures 42 cm. Finish with colour 2. **At the same time** cast off for the sleeve cap at the beginning of each row, 3,2,1,1,1,1 (3,2,1,1,1,1) 3,2,1,1,1,1,1,1 (3,2,1,1,1,1,1,1) sts on each side, work 4 rows without casting off, then cast off at beginning of each row, 1,1,1,1,2 (1,1,1,1,1,2) 1,1,1,1,1,1,2 (1,1,1,1,1,1,2) sts on each side = 16 sts. Cast off. Sleeve measures approx. 55 (56) 57 (58) cm. Work one more sleeve in the same way.

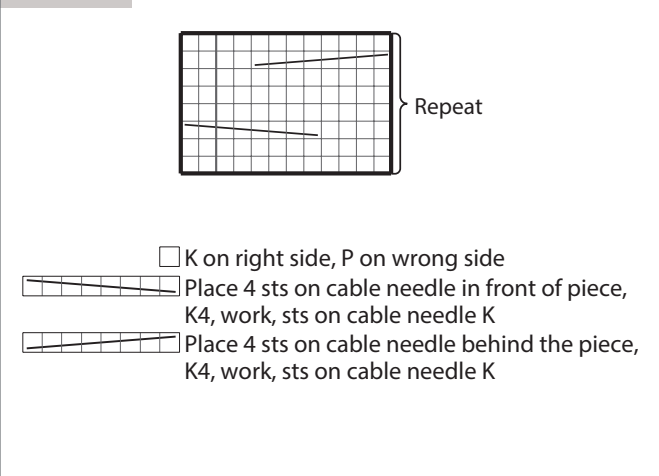
### ASSEMBLY

Sew together the shoulder seams.

### NECKLINE

Knit up 60 to 70 sts around the neck, with colour 2 and circular needle size 5 mm. Work 8 cm rib in the round with K1 twisted, P1. Loosely cast off with K and P. Fold the neck double to the inside and sew down with loose stitches. Sew in the sleeves; begin mid-top of sleeve, so the cable meets the shoulder seam, and sew down both sides. Sew the sleeve and side seams.

### DIAGRAM



Do you need inspiration for your next knitting project? Check out the website [houseofyarn.no](http://houseofyarn.no)