

DECORATE YOUR SEWING ROOM – MAKE A UNIQUE SEWING MACHINE COVER



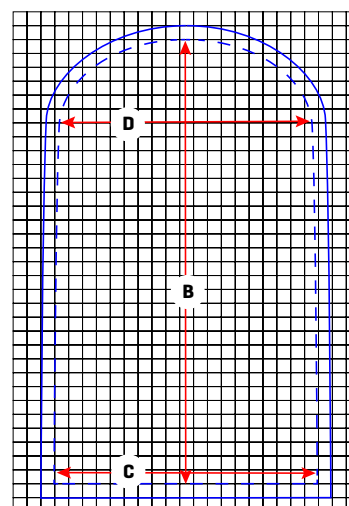
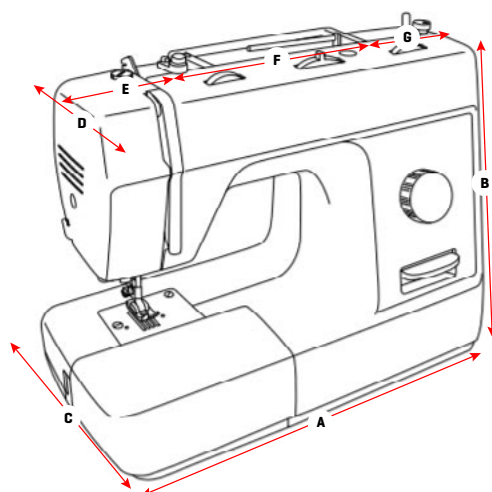
FREE
DIY



MATERIALS

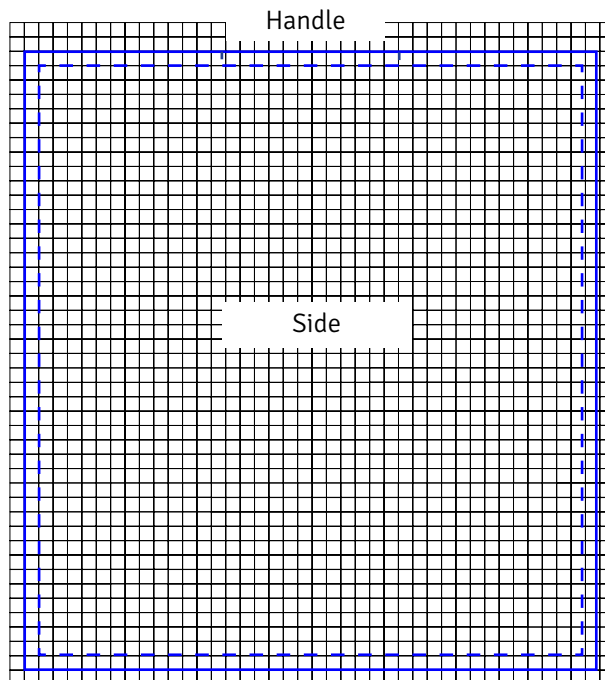
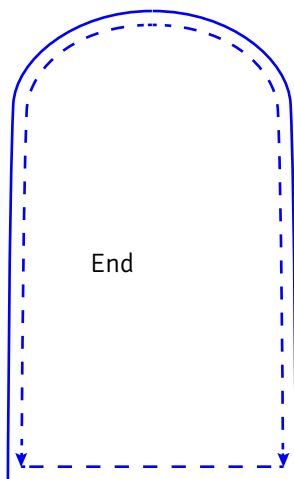
- Outer shell
- Lining
- Style-Vil interlining
- Piping ribbon
- Squared dress pattern paper

Hey! You can also make a cover for your overlocker



1. Measure your sewing machine, e.g.:
A: Length + 3 cm
B: Height + 2 cm
C: Width at bottom + 3 cm
D: Width at top + 3 cm
E and G: Measure from edge to handle
F: Measure handle

2. Draw sewing lines for the end pattern piece onto dress pattern paper according to your measurements = dotted blue line. Draw notch at centre top. Draw 1 cm seam allowance onto each pattern piece = solid blue line.



3. Measure the dotted line around the arch on the end piece.

4. Draw the side piece: length + 3 cm x 1/2 measurements on the dotted line on the end piece.
Draw 1 cm seam allowance on all edges.

5. Cut out the paper pattern pieces. Cut 2 of each pattern piece. Pin the parts together and lay the paper template over your machine to check the size.

If necessary, adjust to fit your machine.

Mark handle position on side pieces.

6. Cut out the parts in shell and lining fabric and in Style-Vil interlining. Cut 2 pieces of each. If you intend to quilt, it is a good idea to cut your fabric slightly larger than the paper pattern pieces.

7. Sew Style-Vil interlining to the wrong side of the shell fabric (0.3 cm seam allowance). Draw quilting lines on Style-Vil and then quilt. Make sure that the quilted piece matches the paper template.

8. Using side pieces, sew 1 shell and 1 lining fabric piece together between notches to create a slit for the handle. Mitre close into the last stitch.

9. Sew shell and lining pieces together at the bottom edge. Press, turn to right sides and topstitch 0.5 cm from the edge.

10. Sew the other side piece in the same way.

11. Lay shell fabric pieces together, right sides facing. Stitch from the edge to the handle notch. Press.

Sew the lining in the same way.

Turn to the right side. Topstitch all around the hole for the handle.

12. Sew shell and lining together at the edges. Stitch with 0.3 cm seam allowance.

13. Sew 1 x shell and 1 lining end pieces together at the bottom edge. Press, turn to right side and topstitch 0.5 cm from the edge.

14. Sew shell and lining together at the edges. Stitch with 0.3 cm seam allowance.

15. Sew the other end piece in the same way.

16. Sew piping ribbon onto the end pieces, leaving a tail approx. 1.5 cm long at the bottom edge.

17. Sew the end pieces onto the side piece. Sew over the stitching line on the piping ribbon.

18. Fold in the ends of the piping ribbon and sew firmly.