

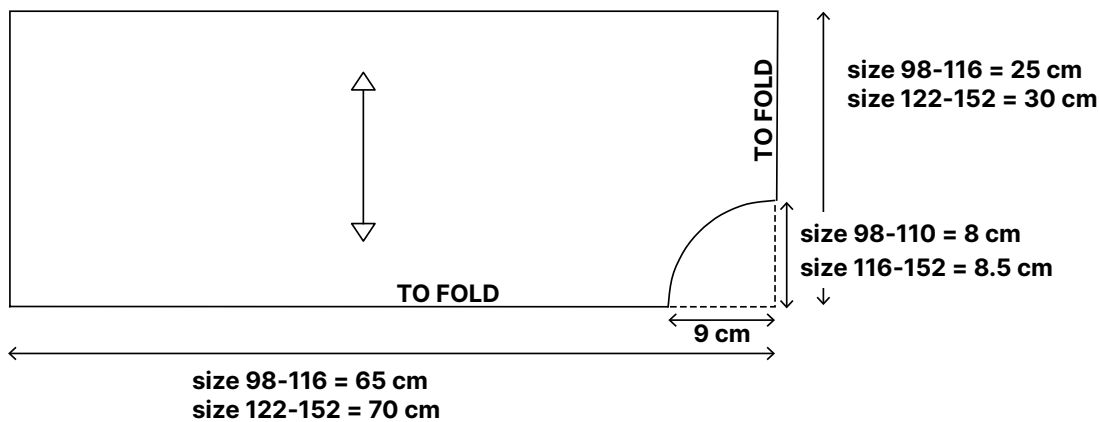
Free idea for you

DIY: Easy costume - square

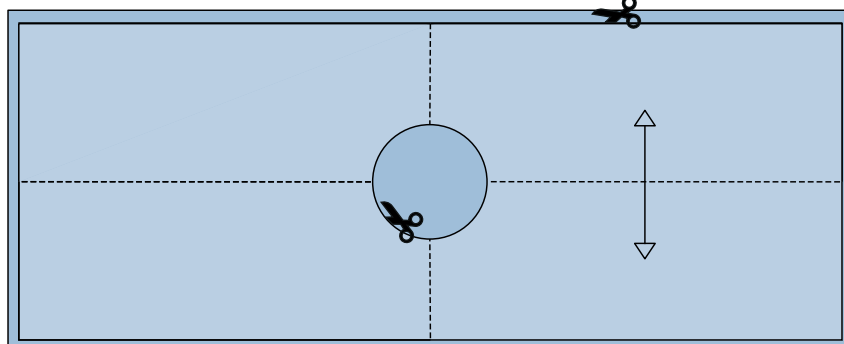
Materials

- Fleece or cotton canvas
size 98-116 = 55 cm
size 122-152 = 65 cm
- Optional: fabric scraps / ribbons
for decoration

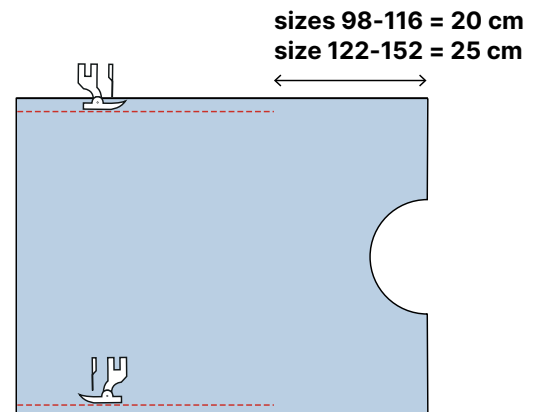
*Pssst... let your imagination run wild
and decorate the costume however you
like*



1. Measurements are for 1/4 costume. You can draw on a piece of pattern paper or draw directly on the fabric.



2. Cut 1 piece of fabric. Decorate your costume however you like. If the fabric tends to fray, you may want to overlock/zigzag the edge.



3. Fold the fabric backside to backside and sew a stitch 1.5 cm from the edge.