

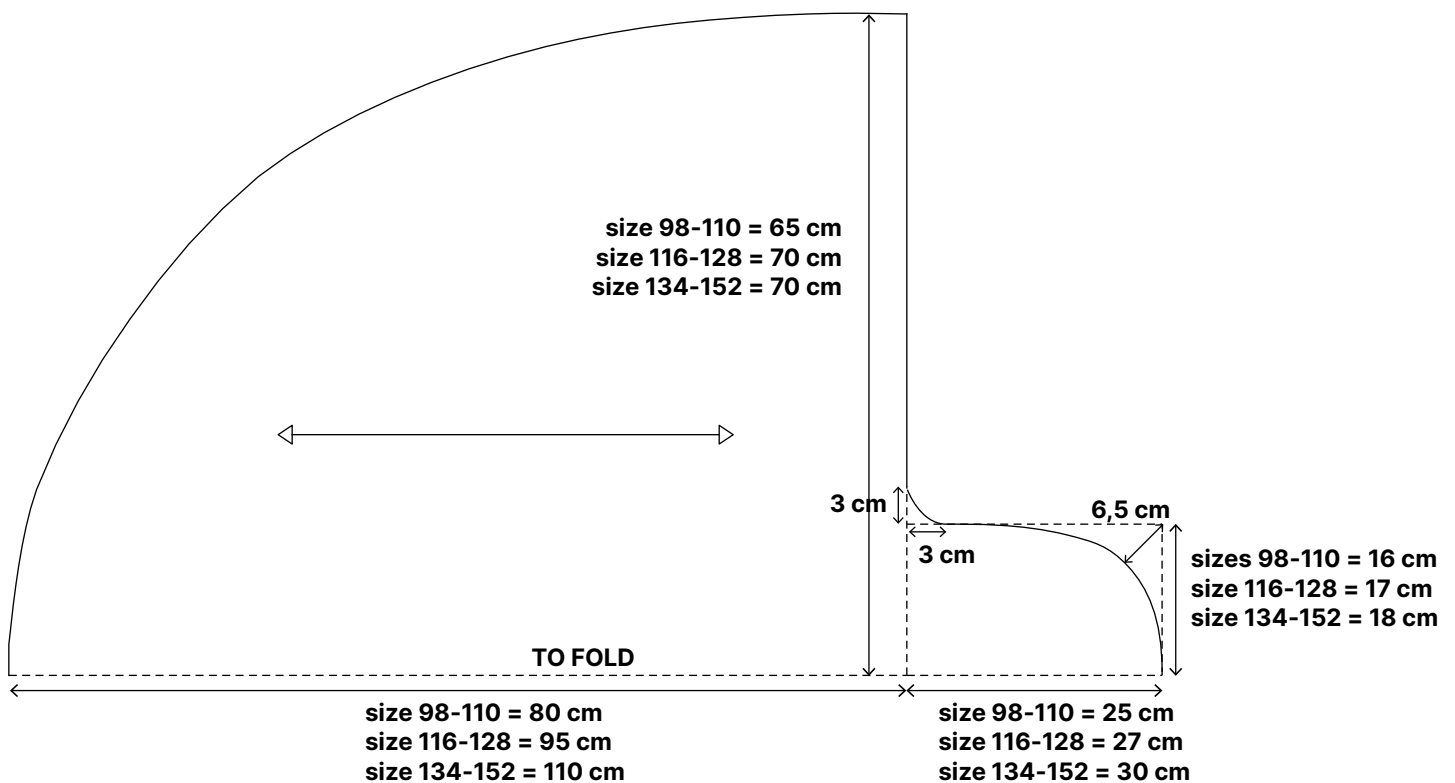
Free idea for you

DIY: Easy costume - ghost

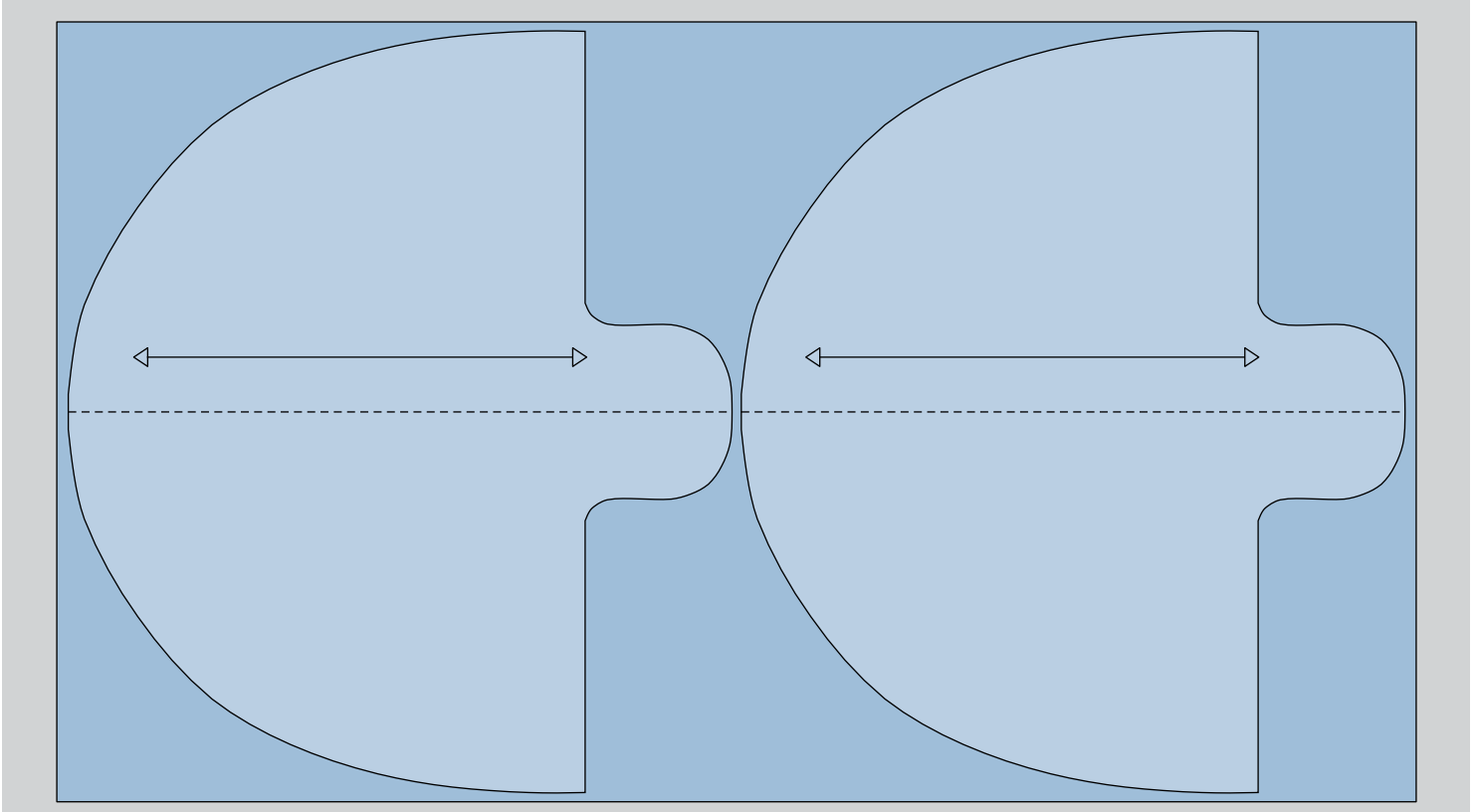
Materials

- Fleece or cotton canvas
size 98-110 = 215 cm
size 116-128 = 250 cm
size 134-152 = 285 cm
- Optional: fabric scraps and vislofix for eyes and mouth

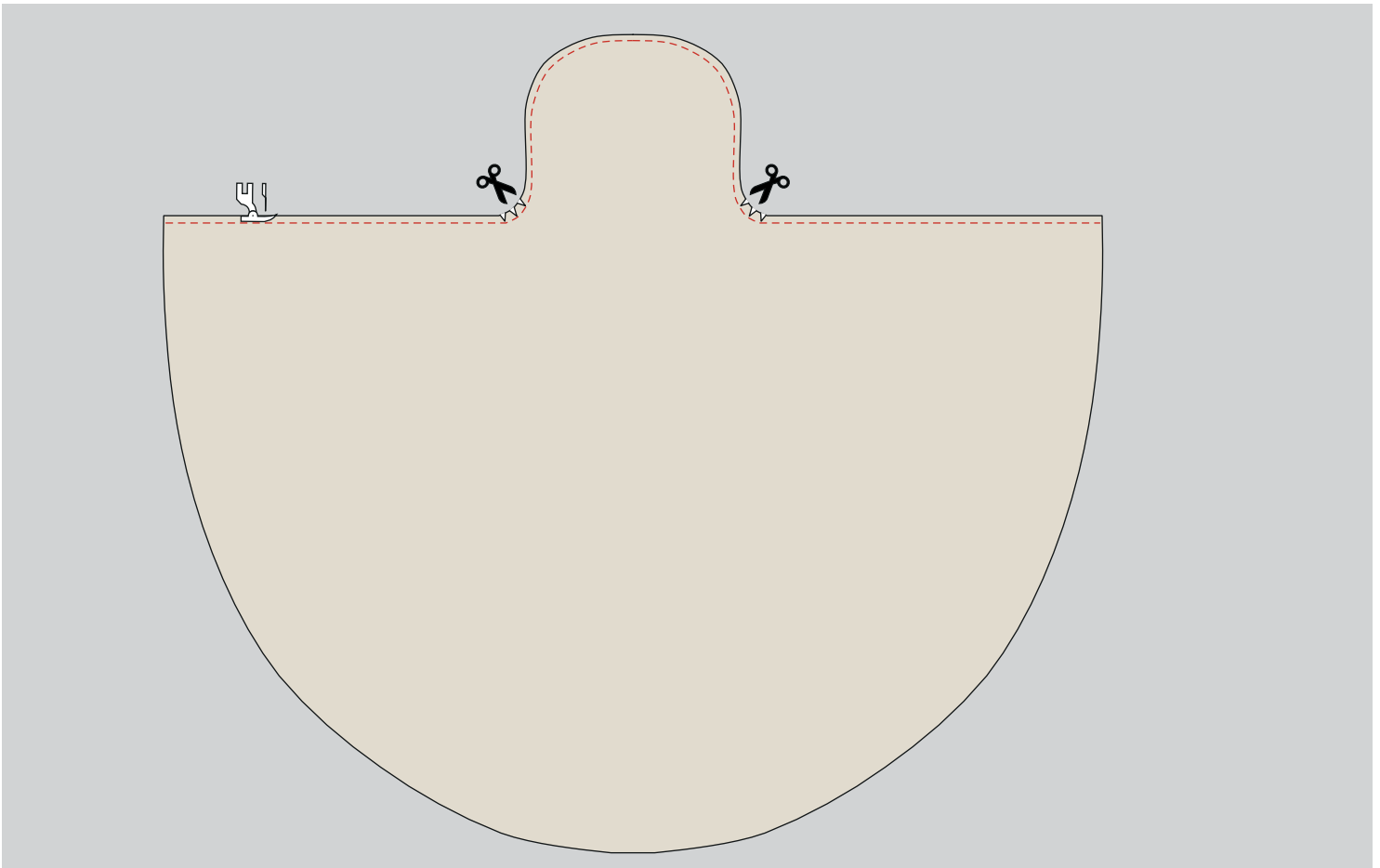
Pssst... you can use the template for the eyes and mouth, or make them just the way you want them.



1. Measurements are for 1/2 costume. You can draw on a piece of pattern paper or draw directly on the fabric.



2. Cut 2 pieces of fabric.



3. Place the pieces right sides together and sew with a 1 cm seam allowance. Cut notches in the arch. Turn right side out. You can make eyes and a mouth with a scrap of fabric and visofix, see DIY8044. Try on the costume and mark where the eyes should be. Cut holes for the eyes. If the fabric tends to fray, you may want to overlock/zigzag the edge.

