

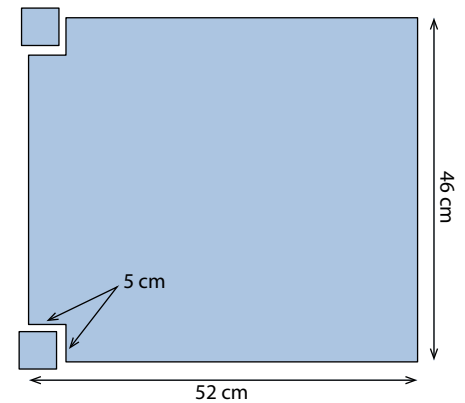
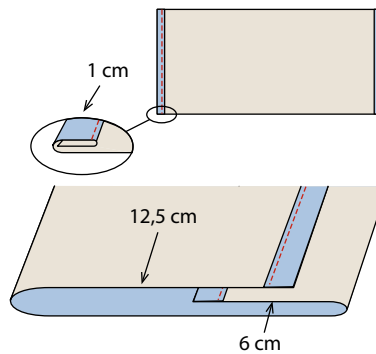
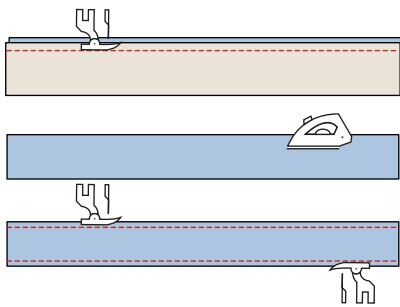
Shopping bag

Materials

- 65 cm thinner fabric such as shower curtain fabric or cotton.

Cut:

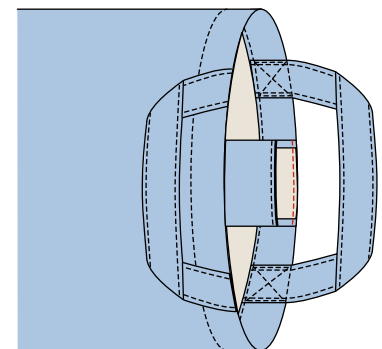
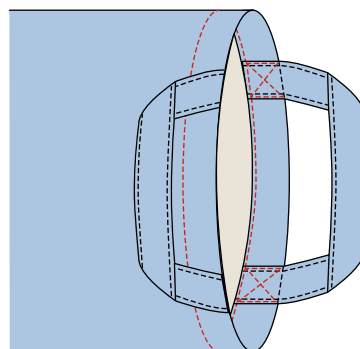
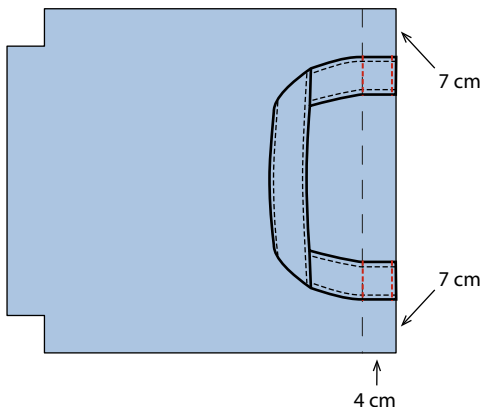
- 2 pieces for sides
46 cm wide x 52 cm high
- 2 pieces for handle
12 cm x 58 cm
- 1 pocket 17 cm x 38 cm



1. Fold the handle lengthwise right sides together and sew together, turn, press. Topstitch on both sides of the handle with a seam allowance of 0,5 cm.

2. Tuck 1 cm of the top and bottom of the pocket onto the rever. Fold the pocket as shown and sew it together on both sides, overlock/zig-zag the seams, turn only lower part of pocket right side out, press.

3. Trim off the bottom two corners.



4. Fold the top edge of the sides 4 cm onto the reverse, press. Sew the handles onto the sides as shown. Overlock/zig-zag the sides.

5. Place right sides together and sew the sides and the bottom. Sew the corners of the bag, adjust over seam, overlock/zig-zag, press. Fold the top edge in the prepressed line and topstitch. Sew a cross over the handles.

6. Place the pocket on the inside of the bag and between one of the handles. Topstitch at the top to fasten it.