

PAP FAB SHOPPER



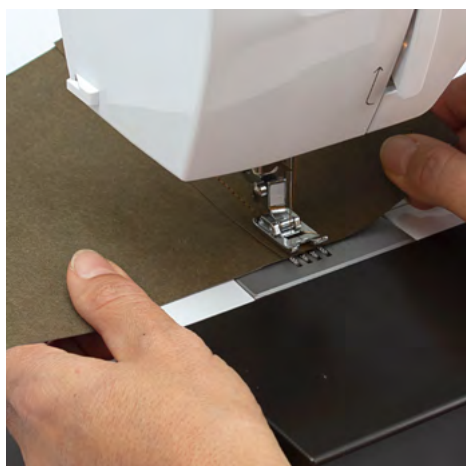
MATERIALER

- 1 roll of PAP FAB
- Leather strap for handle

Machine-wash the PAP FAB at 30 °C for a coarser look. We recommend that you sew in damp PAP FAB as PAP FAB is easier to work with when damp.

Mark up pattern pieces (see Fig. 1). Cut pattern pieces out.

- 2 x side pieces, each measures 36 x 47 cm
- 2 x end pieces, each measures 36 x 15 cm
- 1 x base, measures 15 x 47 cm
- 2 x side reinforcement pieces, each measures 8 x 47 cm
- 2 x end reinforcement pieces, each measures 8 x 15 cm



1. Sew end reinforcement pieces to the sides and ends at the top, wrong sides together, with 0.7 cm seam allowance.



2. Sew handles onto the sides. Position handles as shown in Fig. 2.



3. Sew sides and ends together from the right side, with 0.7 cm seam allowance. Sew from top edge until 0.7 cm from the bottom edge. Sew base into the bag. Sew from the right side, with 0.7 cm seam allowance. Start and end precisely where the side and end seams end.

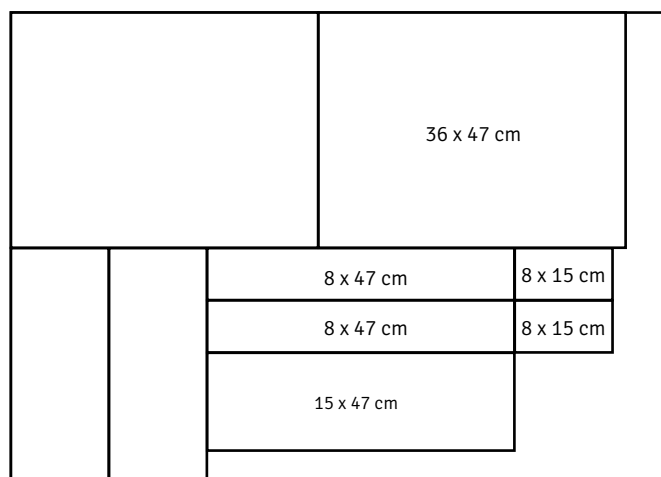


Fig. 1

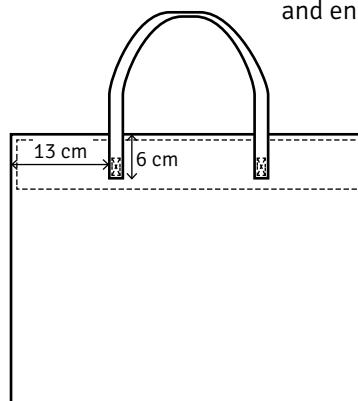


Fig. 2