

Perfect for everyday use

# Shopping bag

**Materials:**

- 65 cm fabric

**Cut:**

- |                     |               |
|---------------------|---------------|
| 2 pieces for sides  | 46 cm x 52 cm |
| 2 pieces for handle | 12 cm x 58 cm |

**How to:**

- Fold the handle lengthwise right sides together and sew together, turn, press.
- Topstitch on both sides of the handle with a seam allowance of 0,5 cm.
- Overlock/zig-zag the sides.
- Trim off the bottom two corners. See fig. 1
- Fold the top edge of the sides 4 cm onto the reverse, press.
- Sew the handles onto the sides as shown in fig. 2.
- Sew the bag together at sides and the bottom, press.
- Sew the corners of the bag, adjust over seam, press.
- Fold the top edge in the prepressed line and topstitch.
- Sew a cross over the handles. See fig. 3

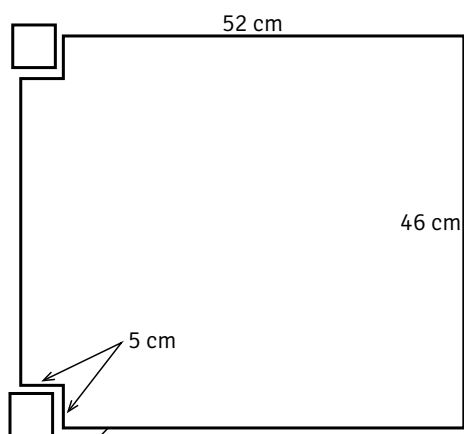


Fig.1

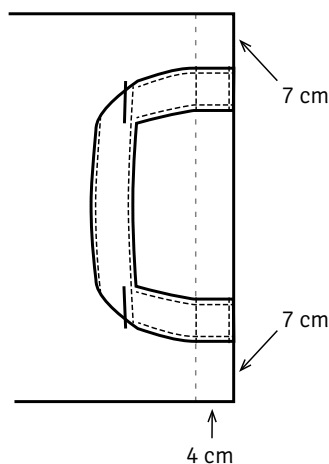


Fig.2

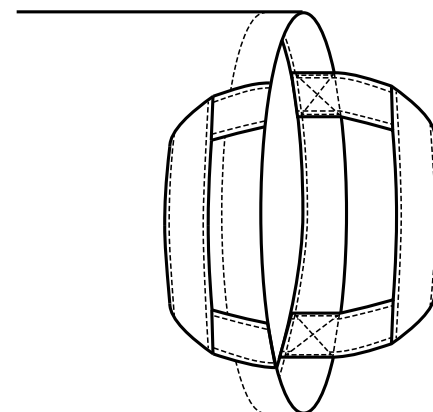


Fig.3