

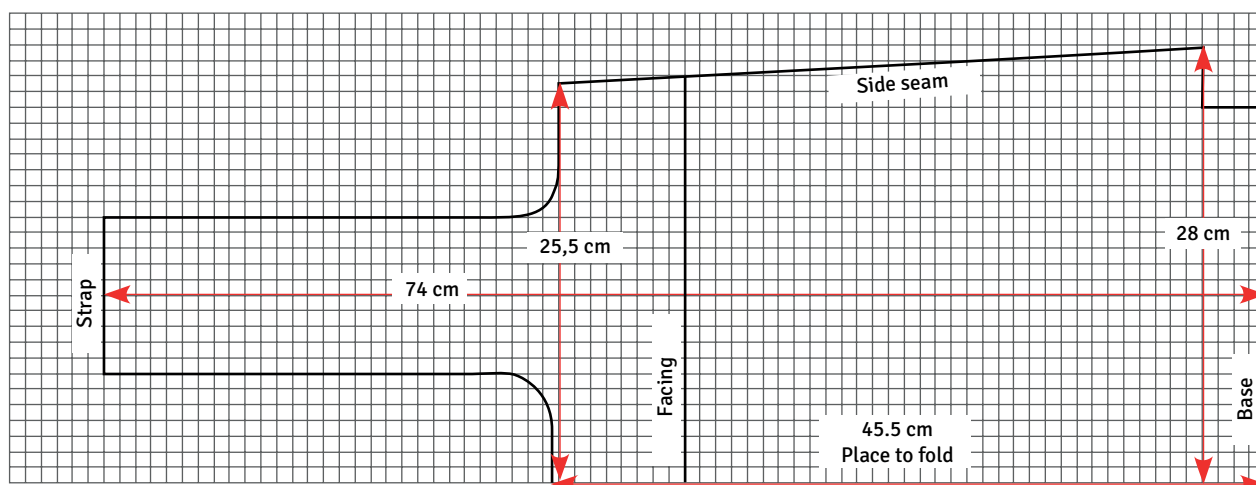
SHOPPING BAG



MATERIALS

- 120 cm fabric (lightweight, woven fabric) width 140 cm
- Elastic, 14 cm
- Squared dress pattern paper

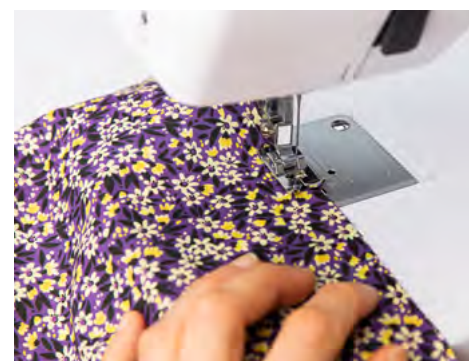
Hey! Fold your bag compact with an elastic band - takes up very little space in your handbag.



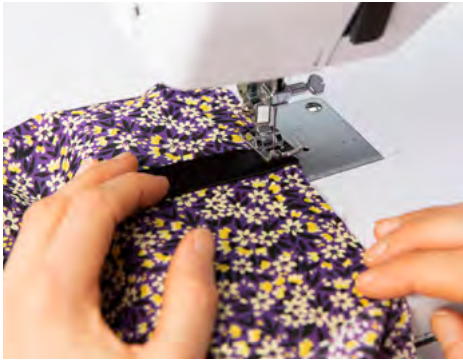
1. Draw the pattern piece on squared dress pattern paper. Mark where the facing ends.



2. Fold the fabric in half lengthwise. Place pattern to the fold. Cut 2 bag pieces and 2 facing pieces.



3. Sew the bottom together wrong sides together (0.5 cm seam allowance). Press.



4. Cut a 14cm length of elastic. Fold elastic in half, right sides together. Sew elastic to the bottom of the bag approx. 11 cm from one corner (0.3 cm seam allowance).



5. Turn to the wrong side, Sew again with 0.7 cm seam allowance to form a French seam. Press.



6. Sew the sides, wrong sides together (0.5 cm seam allowance). Press, turn to the wrong side. Sew again with 0.7 cm seam allowance. Press.



7. Sew corners, wrong sides together (0.5 cm seam allowance). Adjust to fit. Press. Turn to the wrong side and sew with 0.7 cm seam allowance. Press.



8. Sew the side seams on the lining piece, wrong sides together (0.5 cm seam allowance). Adjust to fit. Press. Turn to the wrong side and sew with 0.7 cm seam allowance. Press.



9. Hem the bottom edge of the lining 2 x 1 cm to the wrong side. Press.



10. Sew the lining and shopping bag together at the top (leave a small gap on the straight edge for turning), right sides together (1 cm seam allowance). Adjust to fit. Cut V-shaped notches in the seam edge. Turn to the right side. Press. Top-stitch 0.5 cm from the edge.

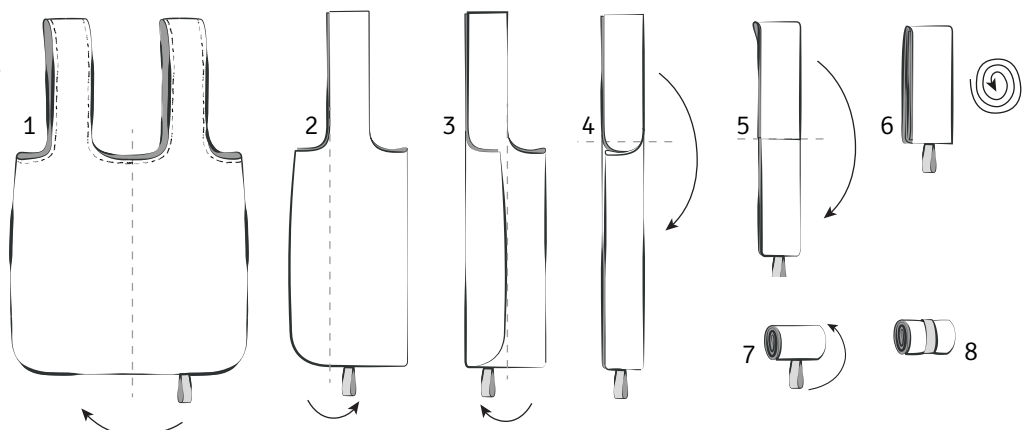


11. Sew straps together pairwise, wrong sides together (0.8 cm seam allowance). Press. Turn to the wrong side. Sew with 1 cm seam allowance..



12. Press the seam allowance to one side. Top stitch into place.

How to fold your bag



Selfmade®