

Off to a great start: How to sew a cushion cover

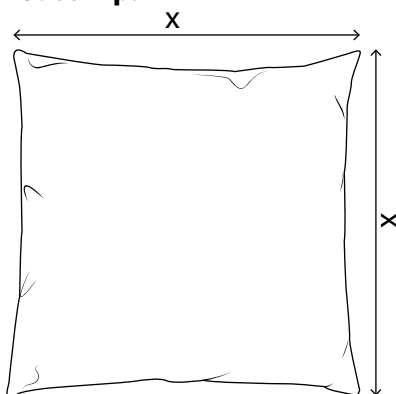
Sewing pattern: Cushion Cover

Materials

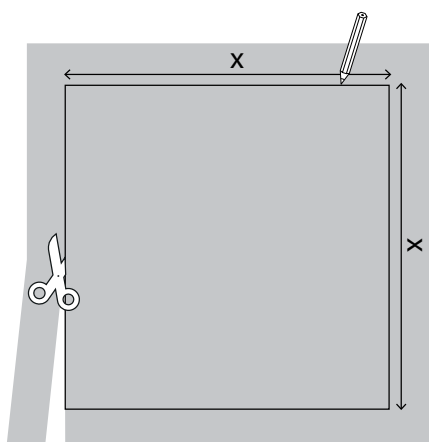
- Cushion
- Fabric (for measurements, see steps 1-2)
- Coil zip

By the way...! If your cushion is round, we suggest that you make a cushion cover without a zip.

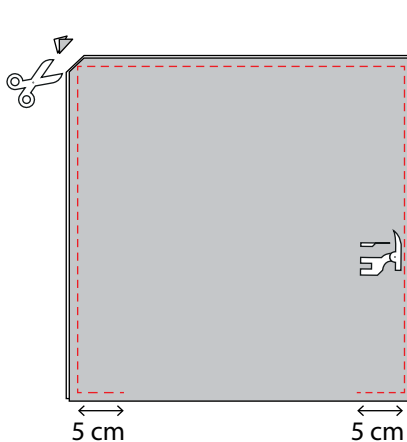
How to make a cushion cover without a zip:



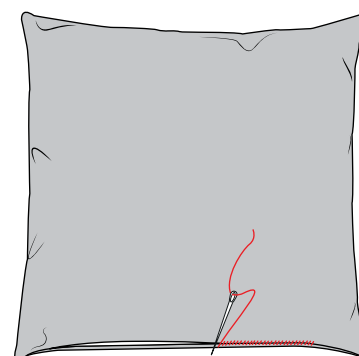
1. Measure your cushion.



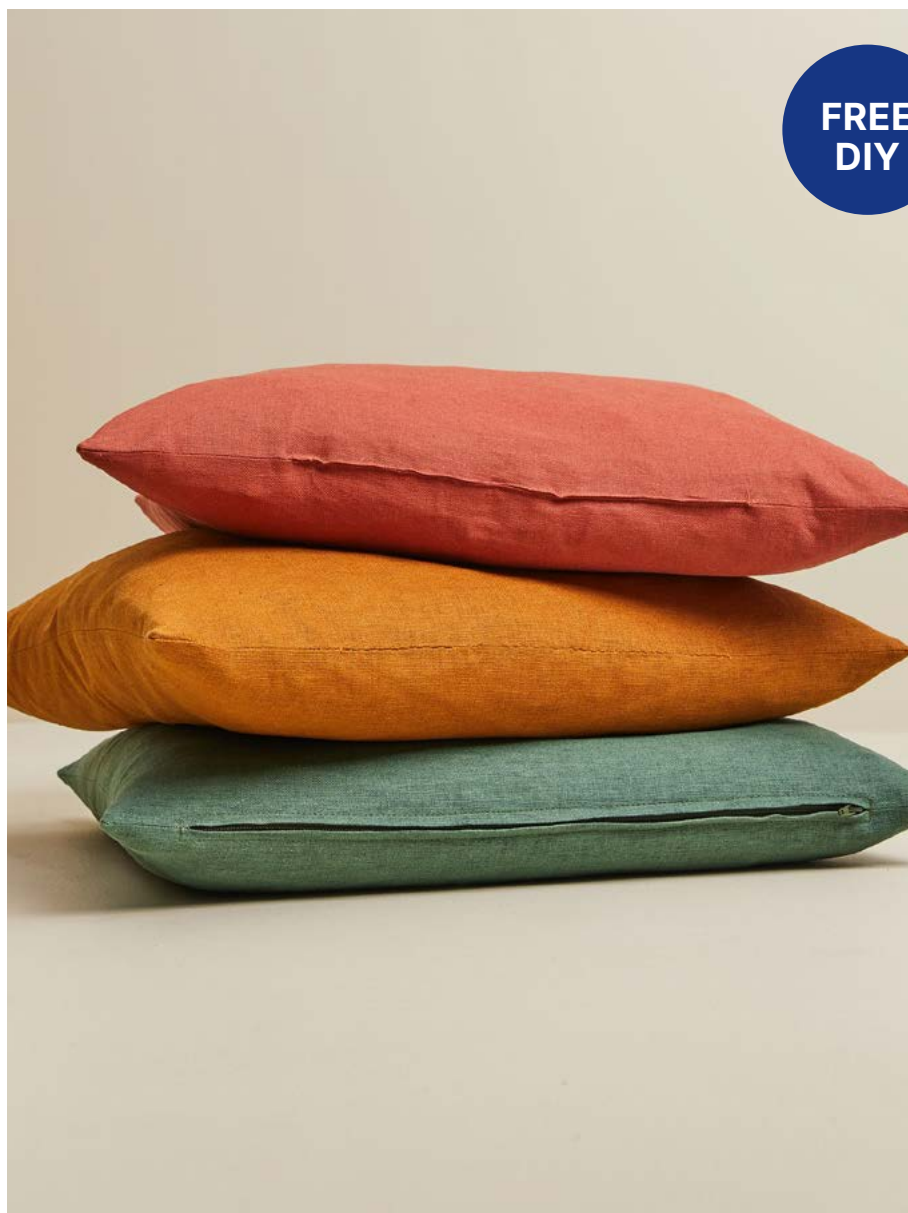
2. Transfer your measurements to the back of the fabric. Cut 2 pieces. do not add seam allowance. If you do, the cover will be too big.



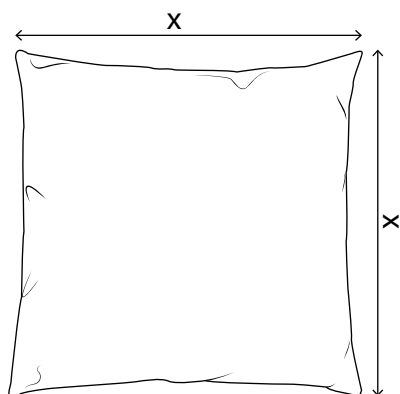
3. Sew fabric pieces together, right sides facing (1 cm seam allowance). Leave a gap for turning. NB: Take into account pattern repeat or nap/pile direction (if any).



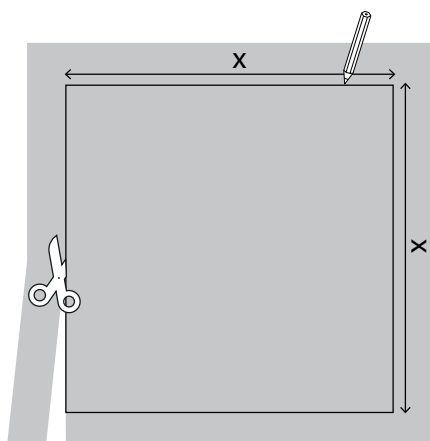
4. Insert the cushion into the cover. Hand-stitch the gap with small invisible stitches to close or sew it on the sewing machine.



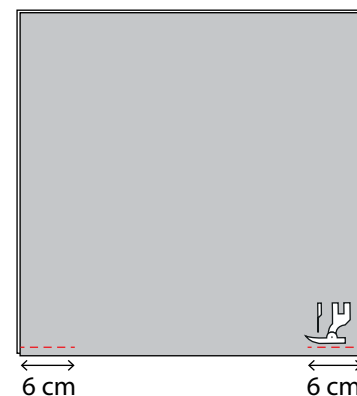
How to make a cushion cover with a zip:



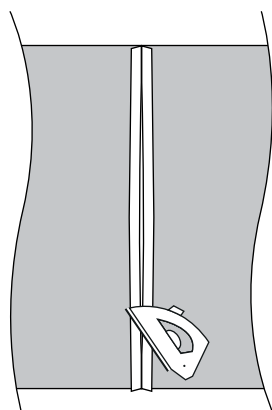
1. Measure your cushion.



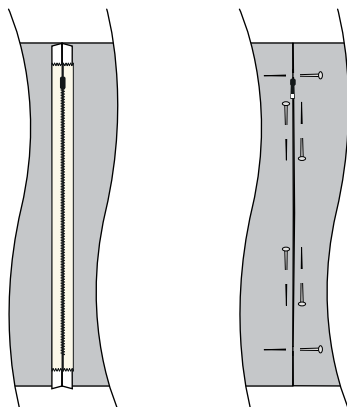
2. Transfer your measurements to the back of the fabric. Cut 2 pieces. do not add seam allowance. If you do, the cover will be too big.



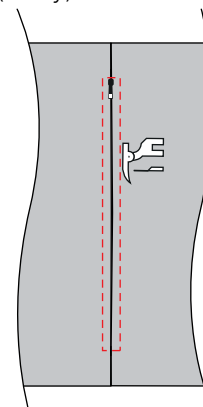
3. Lay the two pieces of fabric together, right sides facing. Sew 6 cm from each side (1 cm seam allowance). NB: Take into account pattern repeat or nap/pile direction (if any).



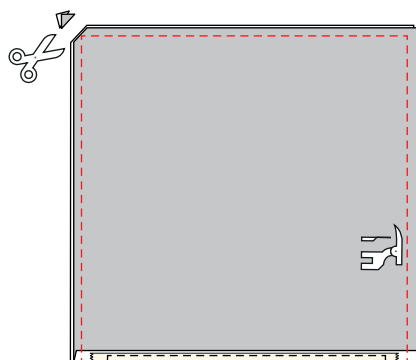
4. Press seam flat.



5. Place the zipper on the back with the zip pull at the start of the hole. From the right side, secure the zip with pins.



6. Sew around the zip (use zipper foot). Don't worry if the zip is too long. You can safely sew over plastic zip teeth.



7. Unzip the zip a little. Sew the remaining sides of the cushion cover, right sides facing (1 cm seam allowance). Turn right side out and insert the cushion into the cover.