

Follow our guide and create unique curtains for your home

Sew yourself: Curtain with pleating tape

Materials

- Fabric
- Sewing thread
- Curtain rod
- Pleating tape
- Curtain hooks
- Ceiling fittings
- Optional: arches (for A-rod only)
- Optional: angle bracket
- Optional: zinc ribbon
- Optional: pull rods



CURTAIN RODS SUITABLE FOR CURTAINS WITH PLEATING TAPE:

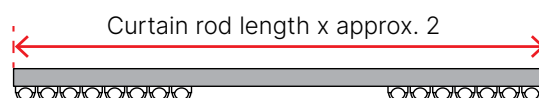
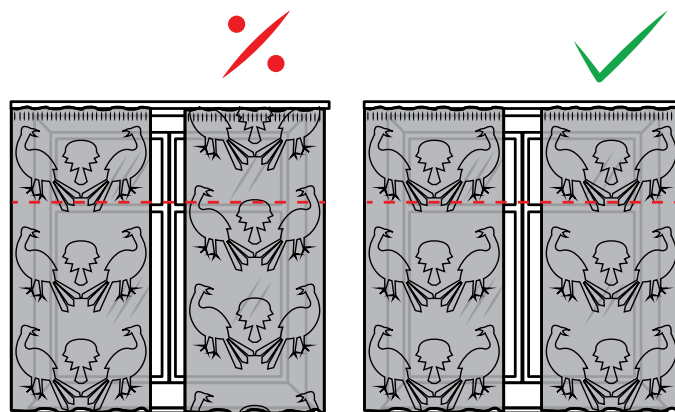
- A-rod in ceiling with brackets
- A-rod in wall with bracket + angle bracket, **see DIY8049 for installation of A-rod.**
- NOTE: Arches on A-rod can only be used when you want installation in the ceiling with ceiling brackets.
- C-rod in ceiling with click fittings
- C-rod in wall with click bracket + angle bracket, **see DIY8050 for C-rod installation.**

PLEASE BE AWARE THAT:

If your chosen fabric has large motifs/pattern repeats, you may need extra fabric. You need this to make the pattern on the curtain panels that hang next to each other align horizontally.

You may also want to make a very wide curtain and therefore need to sew several fabric pieces together - and here you also need to take into account that the pattern must be aligned horizontally.

ATTENTION: We recommend that you either steam iron or wash your fabric before cutting and sewing your curtains. You need to do this to account for any shrinkage. Always remember to follow the instructions for the fabric. Not all fabrics can withstand washing or steaming. You will also need to cut the outer edge lengthwise of the fabric before sewing your curtains.

**MEASUREMENT OF FINISHED CURTAIN WIDTH:**

Measure curtain rod length x approx. 2. We multiply by about 2 to make the fabric wide enough to create pleats. You can also choose to multiply by a little more or less than 2. It depends on the width of the window and how it fits with the width of your fabric.

If your curtain rod ends in an arch, remember to include the length of the arch when calculating the width of your finished curtain. Often you have a curtain hanging in each end of the curtain rod, each of which is called a curtain panel.

For outside mounting for A, B and C, add about 20% or 20-30 cm more to the length of the curtain rod than the width of the window. If necessary, saw the rod to fit your desired dimensions.

Example: The curtain rod is 120 cm long and you want to have a curtain panel hanging on each side of the curtain rod. This means that you have to sew 2 curtain panels with a finished width of 120 cm. If the width of your fabric is fx. 135 cm, you can also choose to use the full width of the fabric, leaving just a little more for pleating.

If you only want one curtain panel to hang at one end of the curtain track, you have to sew a curtain panel with a finished width of 240 cm. Since fabric often has a width of around 140 cm, you will need to sew two fabric pieces together.

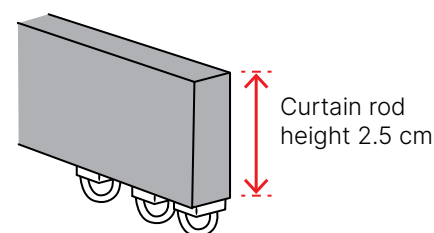
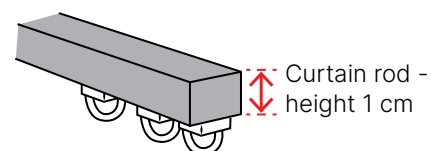
If you have a very wide window section that you want to make curtains for - e.g. facing a terrace - sew several pieces together (with a 1 cm seam allowance) until you reach the desired overall width.

ADD SEAM ALLOWANCE TO THE WIDTH:

For the finished width of each curtain section, you must add 10 cm for seam allowance.

Example: The finished width of the curtain should be 120 cm + 10 cm for side seams = The fabric should be cut to a total width of 130 cm.

NOTE: If your fabric width is e.g. 140 cm and the curtain is for outside installation, you can also use the full width without the edge, giving you just a little extra fabric for pleating.

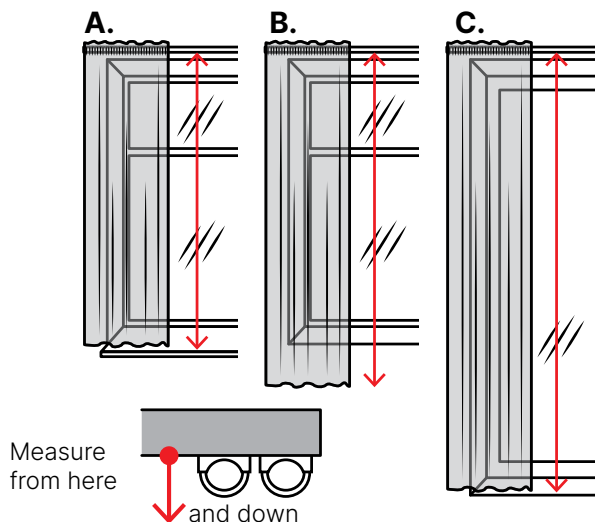


MEASUREMENT OF FINISHED CURTAIN PANEL:**OUTSIDE MOUNTING:**

A. TO SILL: Measure from the bottom edge of the curtain rod down to the window sill. Subtract 1 cm to let the curtain hang free over the window sill. If you want the top of the curtain to hide the curtain rod, add the height of the curtain rod. Now you have the finished length of the curtain.

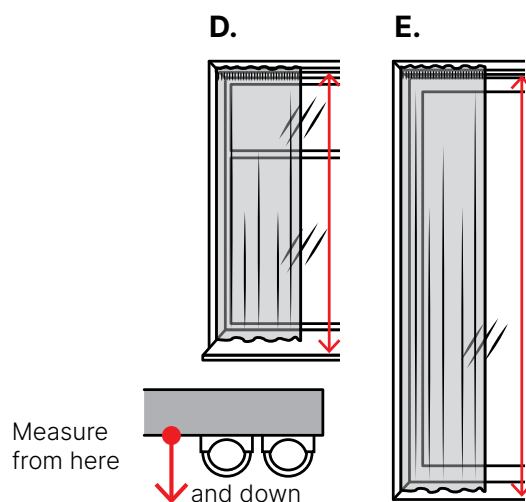
B. FREE LENGTH: Measure from the bottom edge of the curtain rod down to the desired length. We recommend letting the curtain go to about 8-10 cm below the windowsill. If you want the top of the curtain to hide the curtain rod, add the height of the curtain rod. Now you have the finished length of the curtain.

C. TO FLOOR: Measure from the bottom edge of the curtain rod down to the floor. Subtract 1 cm to let the curtain hang free over the floor. If you want the top of the curtain to hide the curtain rod, add the height of the curtain rod. Now you have the finished length of the curtain.

**INSIDE MOUNTING:**

D. TO SILL: Measure from the bottom edge of the curtain rod down to the window sill. Subtract 1 cm to let the curtain hang free over the window sill. If you want the top of the curtain to hide the curtain rod, add the height of the curtain rod. Now you have the finished length of the curtain.

E. TO FLOOR: Measure from the bottom edge of the curtain rod down to the floor. Subtract 1 cm to let the curtain hang free over the floor. If you want the top of the curtain to hide the curtain rod, add the height of the curtain rod. Now you have the finished length of the curtain.

**ADD SEAM ALLOWANCE TO THE LENGTH:**

If you want the top of the curtain to hide the curtain rod, add 20 cm + 1 x curtain rod height + 2 cm to the finished length of each fabric piece.

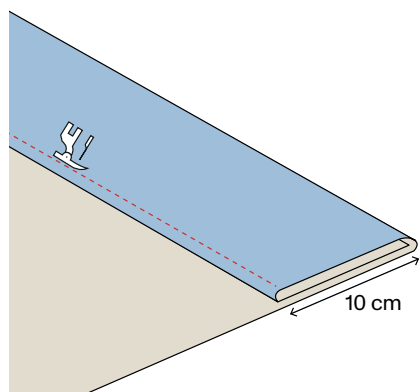
Example: The finished length of the curtain should be 140 + 20 cm for the bottom seam + 2.5 cm for the curtain rod + 2 cm for the top seam = The fabric should be cut to a total length of 164.5 cm.

If you want the top of the curtain to hide the curtain rod, add 20 cm + 2 cm to the finished length of each fabric piece.

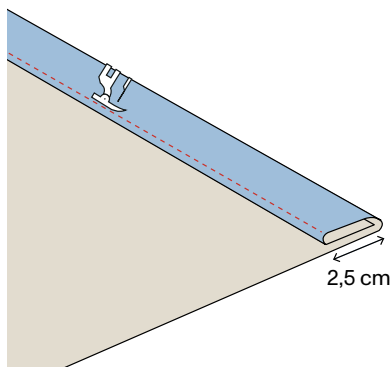
Example: The finished length of the curtain should be 140 + 20 cm for the bottom seam + 2 cm for the top seam = The fabric should be cut to a total length of 162 cm.

Selfmade's curtain rods are available in 2 heights; respectively 1 cm and 2.5 cm.

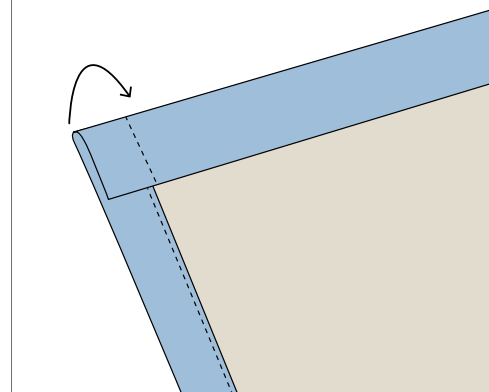
HOW TO SEW CURTAINS WITH PLEATING TAPE:



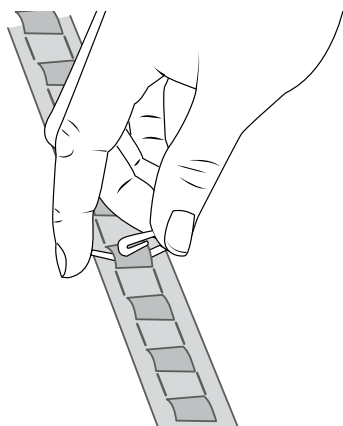
1. Fold 10 cm from the bottom and press. Fold over another 10 cm and press. Sew. You can add zinc ribbon to the fold, which makes the curtain fall nicely and is especially recommended for curtains made from light fabric.



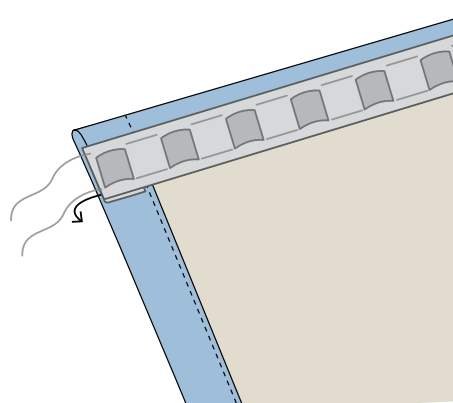
2. Fold over each side 2.5 cm and press. Fold over another 2.5 cm and press. Sew the side hem.



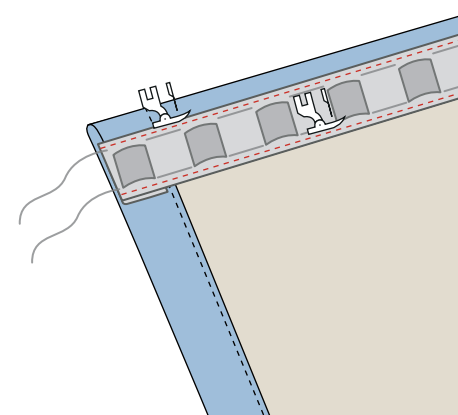
3. Fold over the top edge with the height of the curtain rod + 2 cm if you want to hide the curtain rod. If you want the rod to be visible, fold over 2 cm.



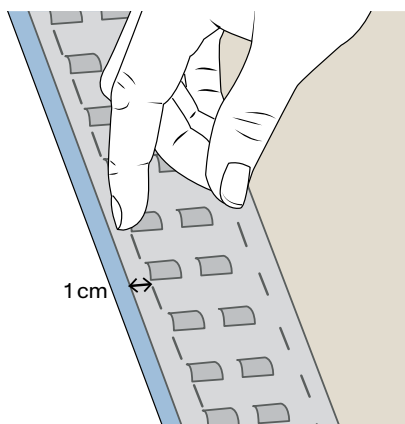
4. NOTE: Turn the pleating tape so that the small "pockets" for attaching the hooks are facing up.



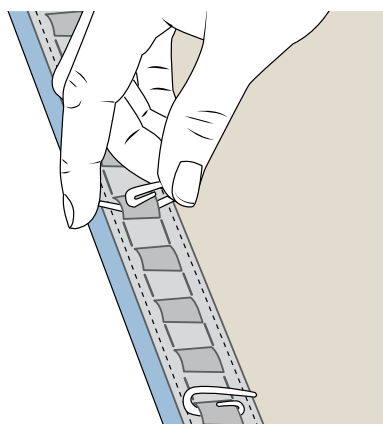
5. Cut the pleating tape 4 cm longer than the finished curtain width. Fold the pleating tape 2 cm at the end. Remember that the pull cords must be pulled out.



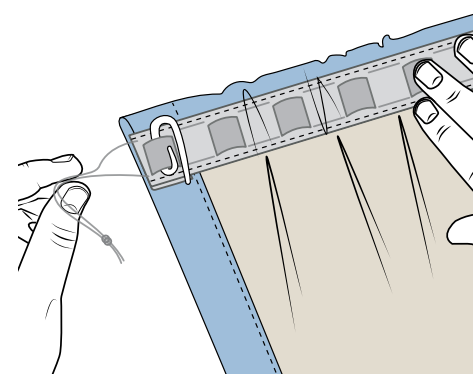
6. Pin on the pleating tape. The distance from the top edge of the curtain down to the top edge of the pleating tape must be the height of the curtain rod + 1 cm if you want to cover the curtain rod. If you want the curtain rod to be visible, the distance from the top edge of the curtain to the top edge of the pleating tape should be 1 cm.



7. NOTE: If you use our wide pleating tape, the side where there is 1 cm down to the small "pockets" should face the top edge of the curtain.



8. Insert hooks at every 10-12 cm. Remember: always an even number of hooks.



9. Pleat the curtain by pulling the cords until you have the desired finished width. Tie the ends of the strings together with a knot.