

Follow our guide and create unique curtains for your home

Sew yourself: Curtain with wave tape

Materials

- Fabric
- Curtain rod
- Optional: fittings
- Wave tape
- Curtain hooks
- Optional: zinc ribbon
- Optional: pull rods



CURTAIN RODS SUITABLE FOR CURTAINS WITH WOVEN TAPE:

- A-rod in ceiling with brackets, **see DIY8049 for installation of A-rod.**

NOTE: We do not recommend using an A-rod **screwed directly to the ceiling** or on angle brackets

- C-rail in ceiling with click fittings
- C-rod in wall with click fittings + angle bracket, **see DIY8050 for C-rod installation.**

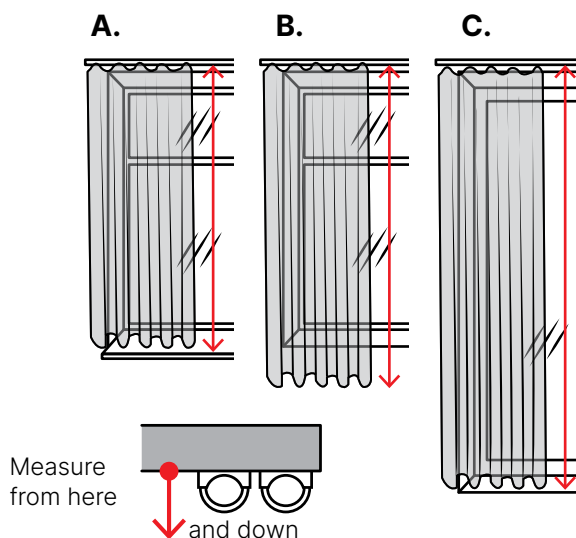
MEASUREMENT OF FINISHED CURTAIN LENGTH:

OUTSIDE MOUNTING:

A. TO SILL: Measure from the bottom edge of the curtain rod down to the window sill, subtract 1 cm to let the curtain hang free over the window sill. Now you have the finished length of the curtain.

B. FREE LENGTH: Measure from the bottom edge of the curtain rod down to the desired length. We recommend letting the curtain go to about 8-10 cm below the windowsill. Now you have the finished length of the curtain.

C. TO FLOOR: Measure from the bottom edge of the curtain rod down to the floor, subtract 1 cm to let the curtain hang free over the floor. Now you have the finished length of the curtain.



INSIDE MOUNTING:

D. TO SILL: Measure from the bottom edge of the curtain rod down to the window sill, subtract 1 cm to let the curtain hang free over the window sill. Now you have the finished length of the curtain.

E. TO FLOOR: Measure from the bottom edge of the curtain rod down to the floor, subtract 1 cm to let the curtain hang free over the floor. Now you have the finished length of the curtain.

ADD SEAM ALLOWANCE TO THE LENGTH:

For the finished length of each curtain section, add 20 cm + 1.5 cm.

Here's an example: The finished length of the curtain should be 140 + 20 cm for the bottom seam + 1.5 cm for the top seam = The fabric pieces need to be cut to a total length of 161.5 cm.

ATTENTION: We recommend that you either steam iron or wash your fabric before cutting and sewing your curtains. You need to do this to account for any shrinkage. Always remember to follow the instructions for the fabric. Not all fabrics can withstand washing or steaming. You will also need to cut the outer edge lengthwise of the fabric before sewing your curtains.

FINISHED CURTAIN WIDTH AND CUT WIDTH:

Selfmade's wave tape should always be mounted on the rod with an even number of hooks/sliders so that the first and last arc of the curtain face the same way.

Wave tape is available in 3 lengths to fit either A or C rods, of 1, 2 and 3 meters respectively. Please note that if you have a curtain rod already installed, you will need to purchase the correct wave tape set due to the difference in width of the sliders for an A or C track.

If you need to customize the rod to a length between 1 and 2 m long, choose the wave tape package that fits the 2 m rod. If you need to customize the rod to a length between 2 and 3 m long, choose the wave tape package that fits the 3 m rod.

To make the curtain fabric fit the 3 different lengths that wave tape is sold in, you need to sew fabric panels together to achieve the correct width.

1 M ROD:

Fabric width 120 to 140 cm; Finished curtain width for 1 m rod is 224 cm. You will therefore need to sew 2 pieces of fabric together.

Cut 2 strips of 118 cm width.

2 M ROD:

Fabric width 120 to 140 cm; Finished curtain width for 2 m rod is 448 cm. You will therefore need to sew 4 pieces of fabric together.

Cut 2 strips of 118 cm width + 2 strips of 114 cm.

You can also choose to make 2 curtain sections as for a 1 m rod and thus get a curtain section at each end of the curtain rod, which then covers a 2 m rod.

3 M ROD:

Fabric width 140 to 150 cm; Finished curtain width for 3 m rod is 672 cm. You will therefore need to sew 5 pieces of fabric together.

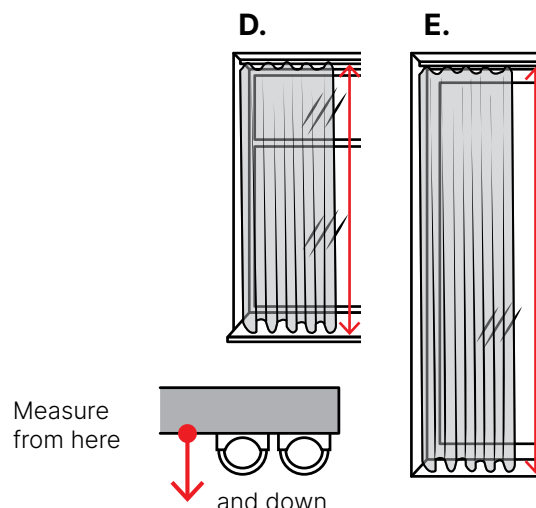
Cut 2 strips of 140 cm width + 3 strips of 136.5 cm.

You can also choose to make 2 curtain sections as for a 2 m rod and thus get a curtain section at each end of the curtain rod, which then covers a 3 m rod.

Fabric width 120 to 135 cm; Finished curtain width for 3 m rod is 672 cm. You will therefore need to sew 6 pieces of fabric together.

Cut 2 strips of 118 cm width + 4 strips of 114 cm.

You can also choose to make 2 curtain sections as for a 2 m rod and thus get a curtain section at each end of the curtain rod, which then covers a 3 m rod.



ADD SEAM ALLOWANCE TO THE WIDTH:

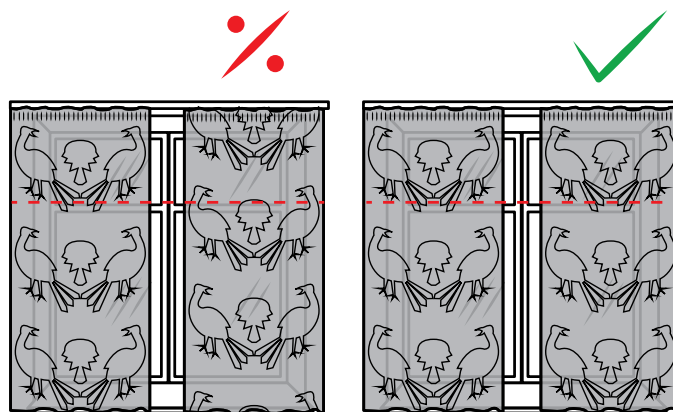
For the finished width of each curtain section, 2 x 5 cm have been added for the seam on each outer side + 1 seam for sewing together the fabric pieces.

PLEASE BE AWARE THAT:

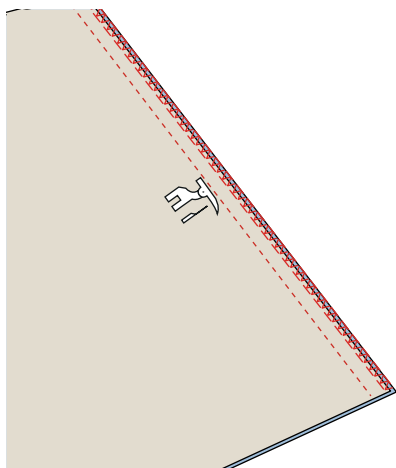
If your chosen fabric has large motifs/pattern repeats, you may need extra fabric. You need this to make the pattern on the curtain panels that hang next to each other align horizontally.

You may also want to make a very wide curtain and therefore need to sew several fabric pieces together - and here you also need to take into account that the pattern must be aligned horizontally.

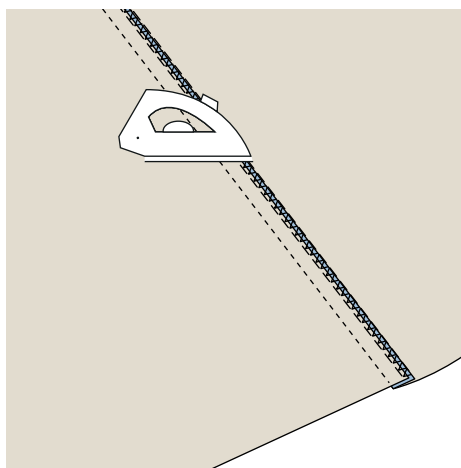
ATTENTION: We recommend that you either steam iron or wash your fabric before cutting and sewing your curtains. You need to do this to account for any shrinkage. Always remember to follow the instructions for the fabric. Not all fabrics can withstand washing or steaming. You will also need to cut the outer edge lengthwise of the fabric before sewing your curtains.



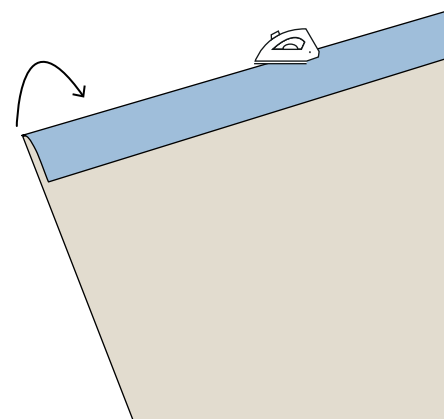
SEWING CURTAINS WITH WAVE TAPE:



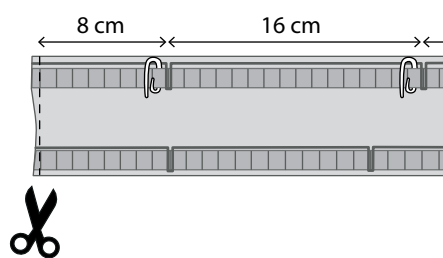
1. Sew fabric panels together with 1 cm seam allowance. Overlock/zigzag the seams.



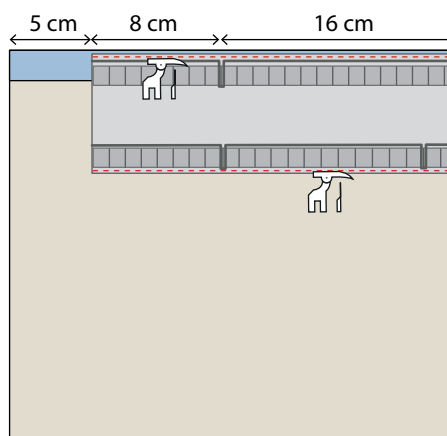
2. Press the seam to one side.



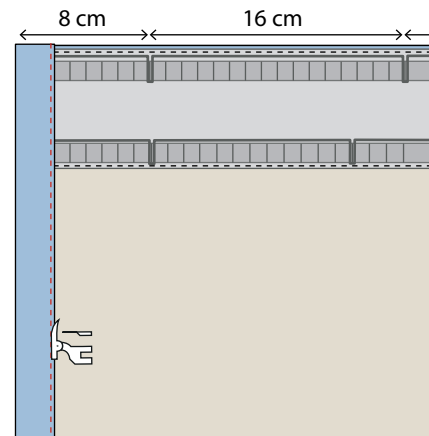
3. Fold over the top edge by 1.5 cm and press.



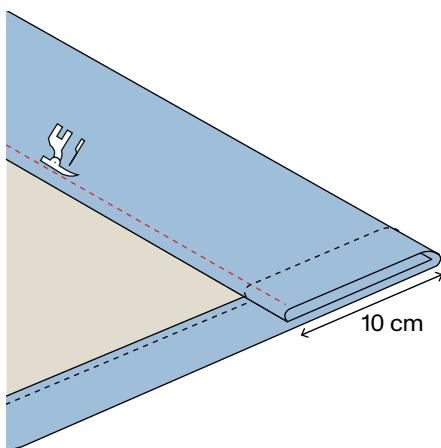
4. The markings on the wave tape can be used as a guide to where to insert hooks, see point 8. You can therefore use the wide marking with 16 cm spacing. Measure 8 cm from the mark and cut the ends of the wave tape.



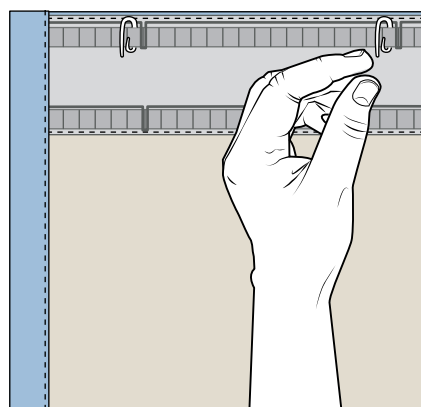
5. Place the wave tape along the folded edge at the top and 5 cm from the raw edge at the side. Marking at 16 cm intervals must face the folded edge of the curtain. Sew wave tape in place.



6. Fold over each outer side 2.5 cm and press, fold over another 2.5 cm and press. Sew the side hem.



7. Fold over the bottom 10 cm and press, fold over another 10 cm and press. Sew. We recommend adding zinc ribbon in the fold, it makes the curtain fall nicely.



8. Place the first hook 8 cm from the edge and the following ones at 16 cm intervals. Use the markings as a guide if necessary. Remember: always an even number of hooks.

Before you hang your curtain on the rod, fit a 'curtain bug' around the outermost slider for each curtain section.

To protect the edge of the curtain, you can install a pull rod to pull the curtain open and closed.