

Follow our guide and create unique curtains for your home

Sew-it-yourself: Curtain with eyelets

Materials

- Fabric
- Sewing thread
- Eyelets
- Optional zinc ribbon
- Curtain rod



ATTENTION: Curtains with eyelets are mounted on a regular round curtain rod. You can mount the curtain rod either outside or inside the window frame. Selfmade® does not sell round curtain rods, but you can buy them in many department stores. Follow the installation instructions from the manufacturer.

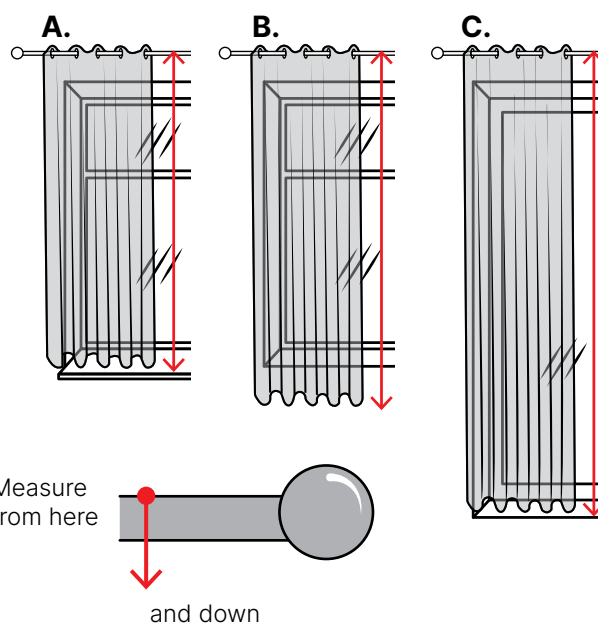
MEASUREMENT OF FINISHED CURTAIN LENGTH:

OUTSIDE MOUNTING:

A. TO WINDOW SILL: Measure from the top edge of the curtain rod down to the window sill, subtract 1 cm to let the curtain hang free over the window sill. Add 2 cm for the top of the curtain above the eyelets. Now you have the finished length of the curtain.

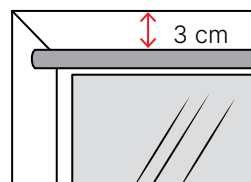
B. FREE LENGTH: Measure from the top edge of the curtain rod down to the desired length. We recommend letting the curtain go to about 8-10 cm below the windowsill. Add 2 cm for the top of the curtain above the eyelets. Now you have the finished length of the curtain.

C. TO FLOOR: Measure from the top edge of the curtain rod down to the floor, subtract 1 cm to let the curtain hang free over the floor. Add 2 cm for the top of the curtain above the eyelets. Now you have the finished length of the curtain.



INSIDE MOUNTING:

If you want a curtain with eyelets for inside mounting, you need a minimum distance of 3 cm from the window frame to the top edge of your curtain rod.



D: TO WINDOW SILL: Measure from the top edge of the curtain rod down to the window sill, subtract 1 cm to let the curtain hang free over the window sill. Add 2 cm for the top of the curtain above the eyelets. Now you have the finished length of the curtain.

E. TO FLOOR: Measure from the top edge of the curtain rod down to the floor, subtract 1 cm to let the curtain hang free over the floor. Add 2 cm for the top of the curtain above the eyelets. Now you have the finished length of the curtain.

ADD SEAM ALLOWANCE TO THE LENGTH:

At Selfmade® we have eyelets in two sizes: 35/20 mm and 55/35 mm.

- If you choose the small eyelet, add 7 cm to the seam/overlay at the top of your curtain.
- If you choose the large eyelet, add 9 cm to the seam/overlay at the top of your curtain.

If you have chosen a thin fabric type, it is an advantage to have a double fold of fabric at the top. You will need $2 \times 7 = 14$ cm at the top of your curtain or 2×9 cm at the top of your curtain. Alternatively, you can use interlining in the top 7 or 9 cm to stabilize the fabric.

You'll also need 20 cm for the seam/fold at the bottom of the curtain.

Example for curtain rings size 35/20 mm: The finished length of the curtain should be 140 cm + 20 cm for the bottom seam + 7 cm for the top seam = The fabric web should be cut to a total length of 167 cm.

MEASUREMENT OF FINISHED CURTAIN WIDTH:

Measure the length of the curtain rod x approx. 1.5. We multiply by approx. 1.5, so that the fabric is wide enough to "wave" on the rod. You can also choose to multiply by a little more or less than 1.5. It depends on the width of the window and how it fits with the width of your fabric.

Often you have a curtain that consists of two curtain sections. That means two pieces of fabric hanging on either side of the curtain rod, each called a curtain panel.

For outside mounting for A, B and C, add about 20% or 20-30 cm more to the length of the curtain rod than the width of the window. If necessary, saw the rail to fit your desired dimensions.

Example with two curtain sections: The curtain rod is 120 cm long ($120 \times 1.5 = 180$ cm). Your curtain should be 180 cm wide - and if you want a curtain panel hanging at each end of the curtain rod, divide the width in half ($180 / 2 = 90$ cm). You will need to sew two curtain panels with a finished width of approx. 90 cm.

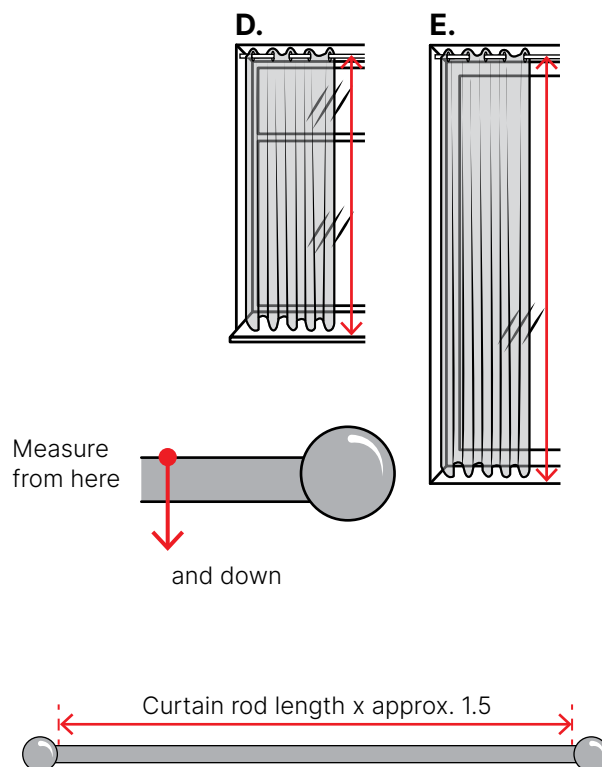
Example with one curtain panel: If you only want one curtain panel to hang at one end of the curtain rod, sew one curtain panel with a finished width of approx. 180 cm. Since fabric often has a width of around 135 cm, you will need to sew two fabric pieces together.

If you have a very wide window section that you want to make curtains for - e.g. facing a terrace - sew several pieces together (with a 1 cm seam allowance) until you reach the desired overall width.

ADD SEAM ALLOWANCE TO THE WIDTH:

For the finished width of each curtain section, you must add 10 cm for seam allowance.

Example: The finished width of the curtain should be 90 cm + 10 cm for side seams = The fabric web should be cut to a total width of 100 cm.



PLEASE BE AWARE THAT:

If your chosen fabric has large motifs/pattern repeats, you may need extra fabric. You need this to make the pattern on the curtain panels that hang next to each other align horizontally.

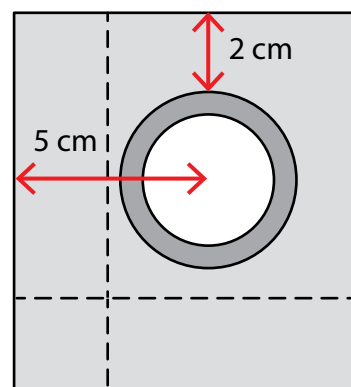
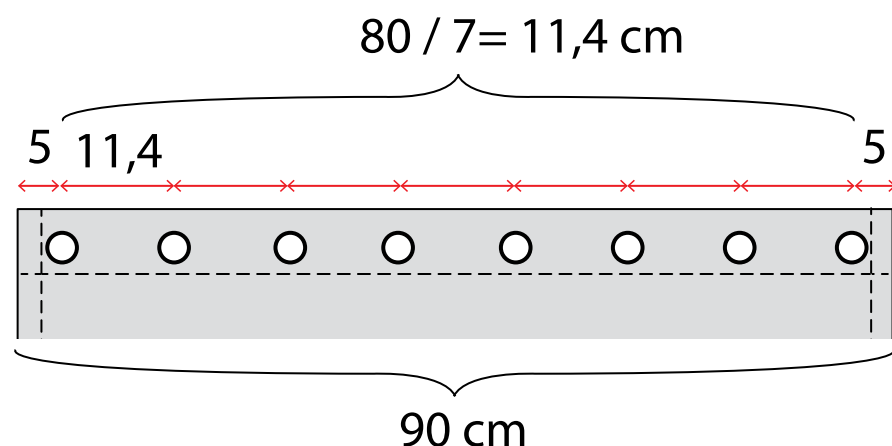
You may also want to make a very wide curtain and therefore need to sew several fabric pieces together - and here you also need to take into account that the pattern must be aligned horizontally.

ATTENTION: We recommend that you either steam iron or wash your fabric before cutting and sewing your curtains. You need to do this to account for any shrinkage. Always remember to follow the instructions for the fabric. Not all fabrics can withstand washing or steaming. You will also need to cut the outer edge lengthwise of the fabric before sewing your curtains.

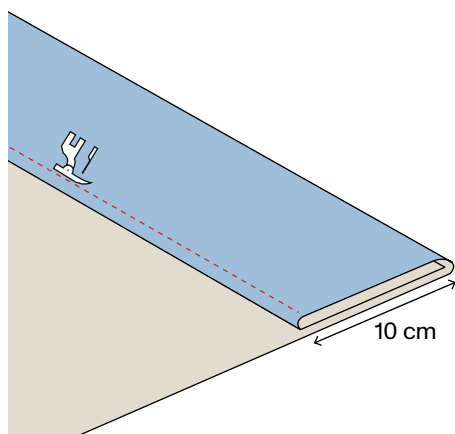
SPACING BETWEEN EYELETS:

- The distance between your eyelets should be approximately 10-12 cm. For light fabrics we recommend choosing approx. 10 cm and for thicker fabrics approx. 12 cm.
- If your rings are placed close to each other, you won't achieve the nice, wavy movement in your curtains. And if they are too far apart, the curtain will "droop down" between the eyelets.
- The first and last eyelet on each curtain panel must have a distance of 5 cm between the curtain edge and the center of the eyelet. The distance from the top edge and the eyelet should be 2 cm.
- There should always be an even number of eyelets so that the rings form pairs.

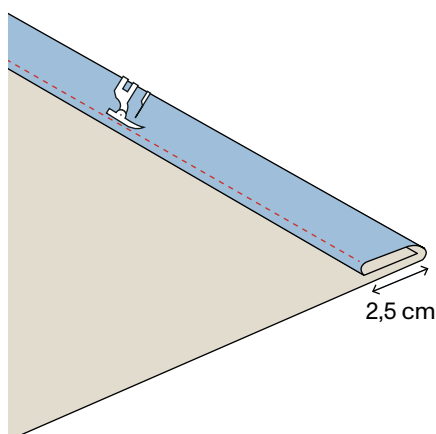
Example: A 90 cm wide curtain panel that holds 8 eyelets:



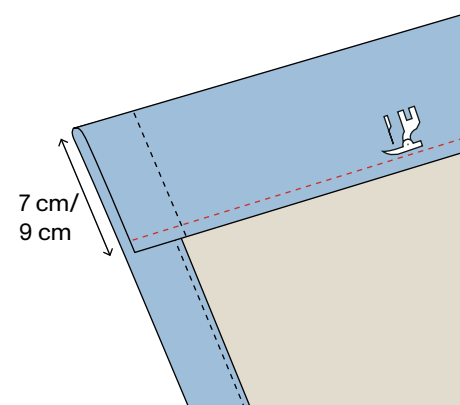
HOW TO SEW CURTAINS WITH EYELETS:



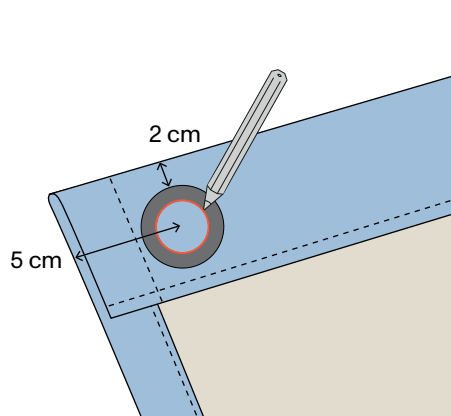
1. Fold 10 cm from the bottom and press. Fold over another 10 cm and press. Sew. You can add zinc ribbon to the fold, which makes the curtain fall nicely and is especially recommended for curtains made from light fabric.



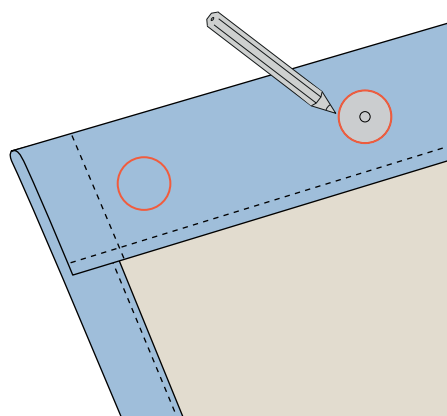
2. Fold over each side 2.5 cm and press. Fold over another 2.5 cm and press. Sew the side hem.



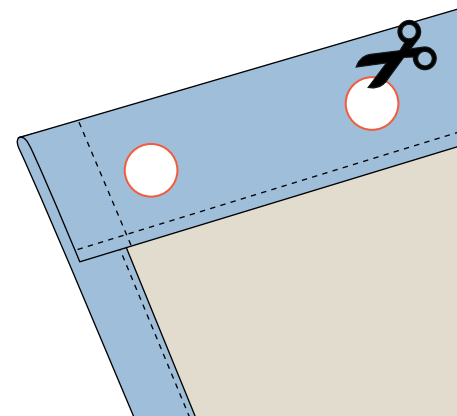
3. If you fold the top edge once by 7 or 9 cm, depending on the size of the casing you have chosen, you will need to overlock/zigzag the top edge first. If you fold over 2 times by 7 or 9 cm, overlock/zigzag is not necessary. Fold over and press the edge and sew the folded edge in place.



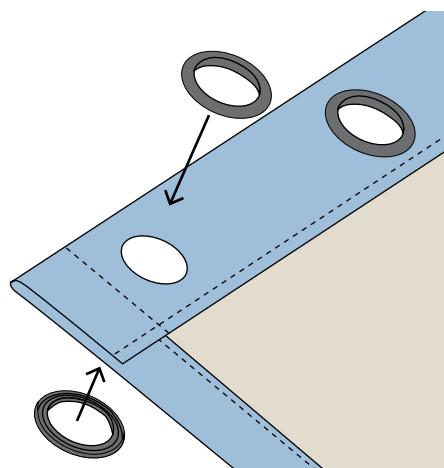
4. Mark for the first and last eyelet with a distance of 5 cm between the curtain edge and center of the eyelet. The distance between the top edge and the eyelet should be 2 cm.



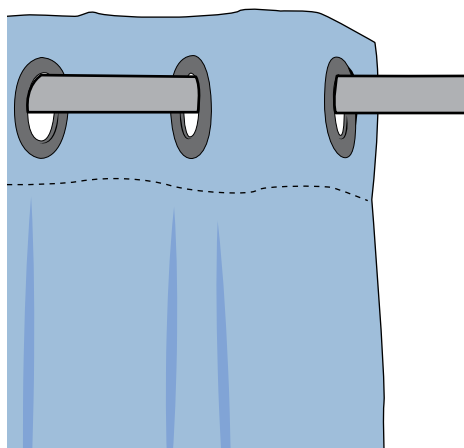
5. Calculate and mark where the eyelets should be placed between the first and last ring, see calculation method on the previous page.



6. Cut out holes with small sharp scissors.



7. Mount the eyelets, follow the instructions in the bag.



8. The curtain can now be drawn on the curtain rod.