

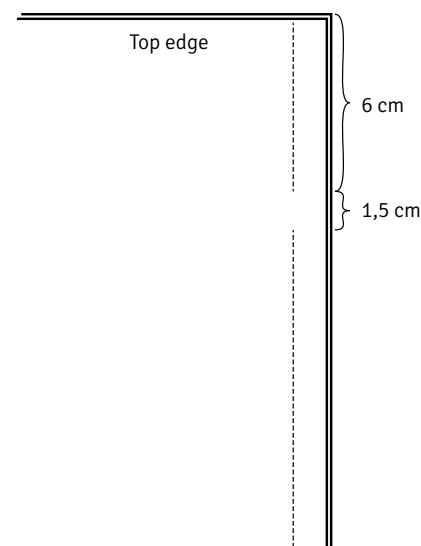
Present/jewellery bag

FREE
DIY



Materials

- Large bag 12 cm x 16 cm:
25 cm fabric
- Small bag 10 cm x 12 cm:
20 cm fabric
- Ribbon



Large bag

Cut a piece of fabric 26 (wide) x 21 cm (high) and a 70 cm piece of ribbon.

Small bag

Cut a piece of fabric 22 (wide) x 17 cm (high) and a 50-60 cm piece of ribbon.

- Fold the fabric at the middle and stitch together at the bottom and one side with 1 cm seam allowance, leave a hole open for the ribbon. See pattern.
- Fold the top edge 4 cm onto the wrong side and stitch together a drawstring hem.
- Top stitches 2 cm from the edge and bottom stitches 3.5 cm from the edge.
- Pull the ribbon through the drawstring hem.

