

Make great accessories for a child's hobbyhorse

DIY: Hobbyhorse Halter and Bridle

Materials

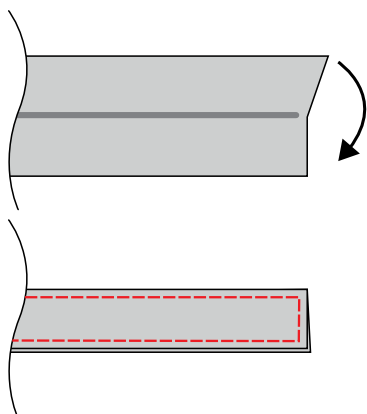
- 5 metal rings (no. 45702)
- 4 snap hooks (no. 45502)
- 300 cm of webbing, 32-38 mm wide



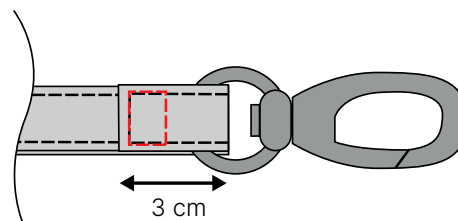
Cut the webbing:

- 1 x 28 cm + 2 x 17 cm + 4 x 12 cm for halter
- 100 cm for reins
- 70 cm for bridle

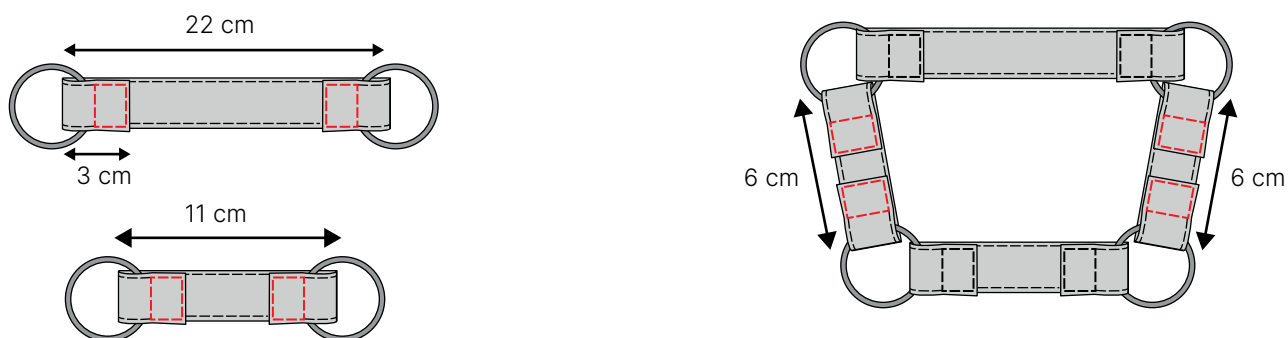
By the way: If you have nylon/polyester webbing, you can melt the ends to prevent fraying



1. Fold all the webbing lengthwise and sew a line of stitching along the entire edge.

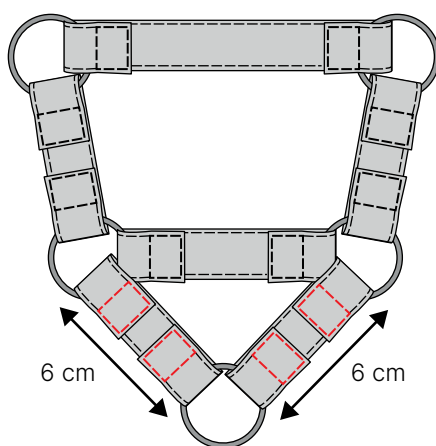


2. Fold the 100 cm length of webbing 3 cm around a snap hook at one end. Sew as shown in the illustration. Fold the 70 cm length of webbing 3 cm around a snap hook at both ends. Sew as shown in the illustration.

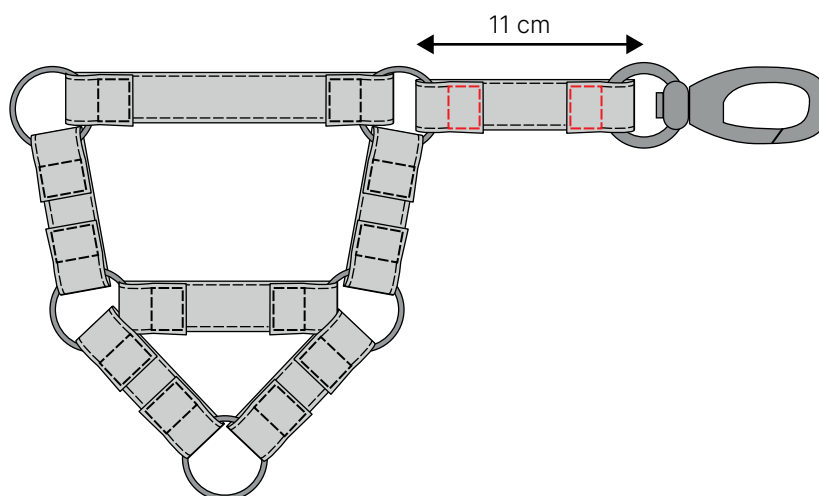


3. Fold the 28 cm length of webbing and one of the 17 cm lengths of webbing 3 cm around a snap hook at both ends. Sew as shown in the illustration.

4. Fold 2 x 12 cm lengths of webbing 3 cm around the two sets of bands. Sew as shown in the illustration.



5. Fold 2 x 12 cm lengths of webbing 3 cm around the two lower metal rings. Join these two bands to make one ring.



6. Fold 1 x 17 cm length of webbing 3 cm around the two uppermost metal rings. Fold the other end 3 cm around a snap hook. Sew as shown in the illustration.