

Free idea for you

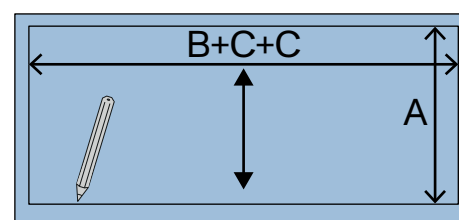
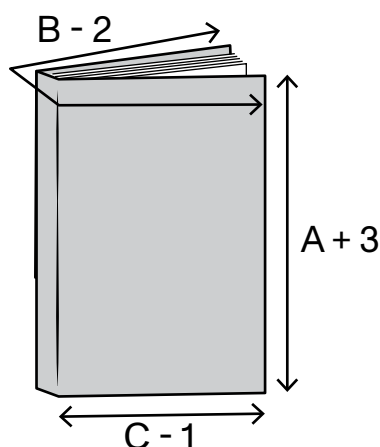
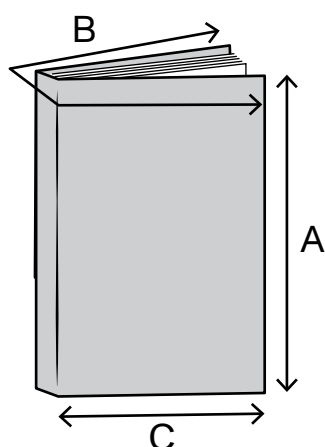
# Sew it yourself: Book cover

## Materials

- Jersey fabric or woven fabric



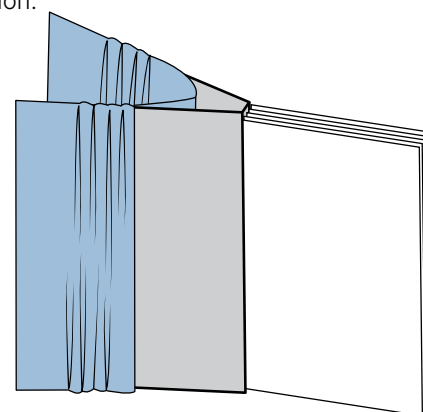
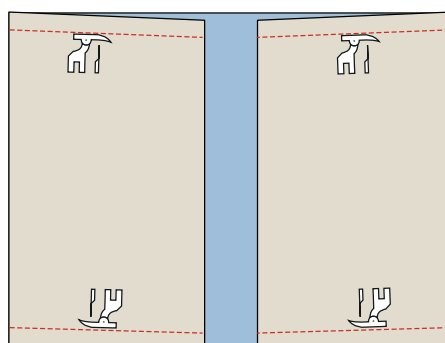
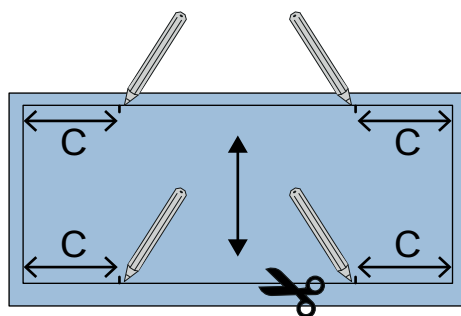
## Jersey fabric (stretch)



**1.** Measure the height of the book plus 3 cm = A.  
Measure the width of the cover minus 2 cm = B.

**2.** Ex. height  $28.5 + 3 = 31.5$  (A)  
Width  $45.5 - 2 = 43.5$  (B)  
Front width  $21.5 - 1 = 20.5$  (C)

**3.** Draw the measurements on the fabric with a marker or chalk.  
Height A x Width B + C + C.  
Ex. height 31.5 x width 43.5 + 20.5 + 20.5. Pay attention to the thread direction.

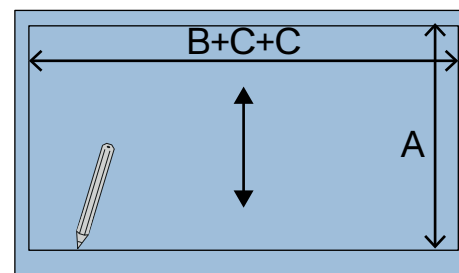
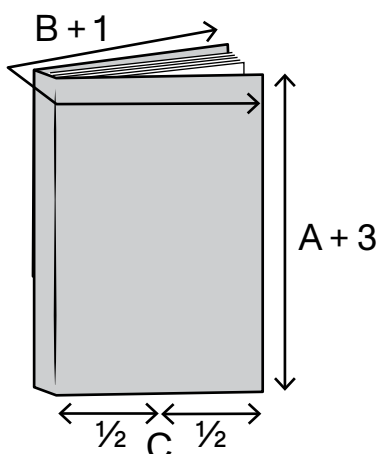
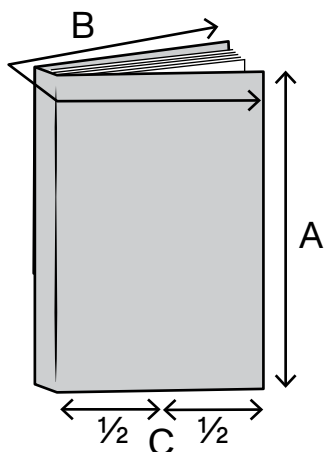


**4.** Mark the width of the front side C. Ex. 20.5 on each long side. Cut out the part.

**5.** Fold the fabric at the marking right sides together and sew with 1.5 cm seam allowance

**6.** Turn right side out. Fold the book cover all the way to the back and pull the fabric cover over the cover.

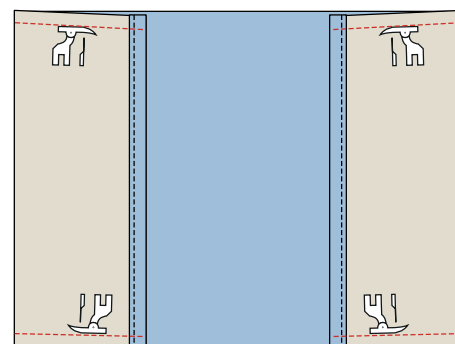
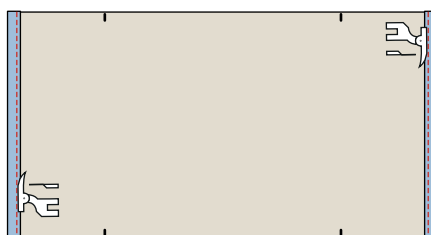
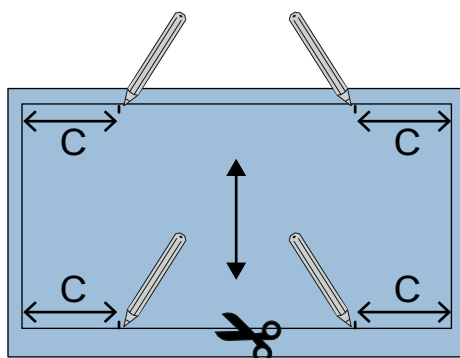
## Woven fabric (solid)



**1.** Measure the height of the book plus 3 cm = A.  
Measure the width of the cover minus 2 cm = B.  
Measure the width of the front page minus 1 = C

**2.** Ex. height  $28.5+3 = 31.5$  (A)  
Width  $45.5+1 = 46.5$  (B)  
 $\frac{1}{2}$  of the front width = 10.75 (C)

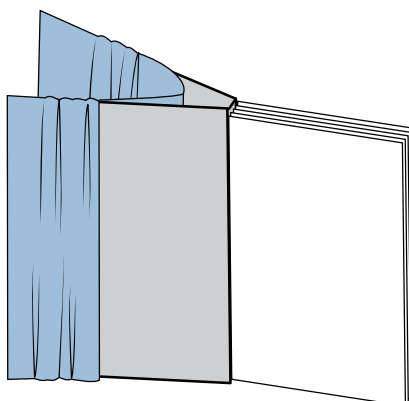
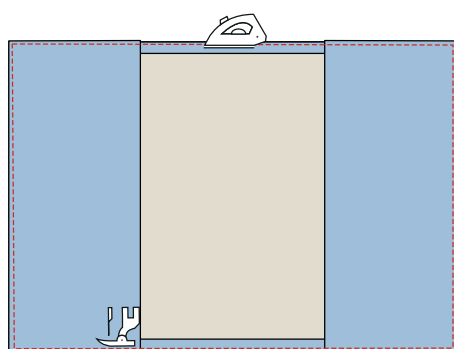
**3.** Draw the measurements on the fabric with a marker or chalk.  
Height A x Width B + C + C.  
Ex. height 31.5 x width 46.5 + 10.75 + 10.75. Pay attention to the thread direction.



**4.** Mark the front  $\frac{1}{2}$  width measurement C. Ex. 10.75 on each long side. Cut out the part.

**5.** Fold the front edges 1 cm to the wrong side and sew.

**6.** Fold the fabric right sides together at the mark and sew with a 1 cm seam allowance.



**7.** Turn the right side out and press the edge. Stitch 0.3 cm from the edge all the way around.

**8.** Fold the book cover all the way to the back and pull the fabric cover over the cover.